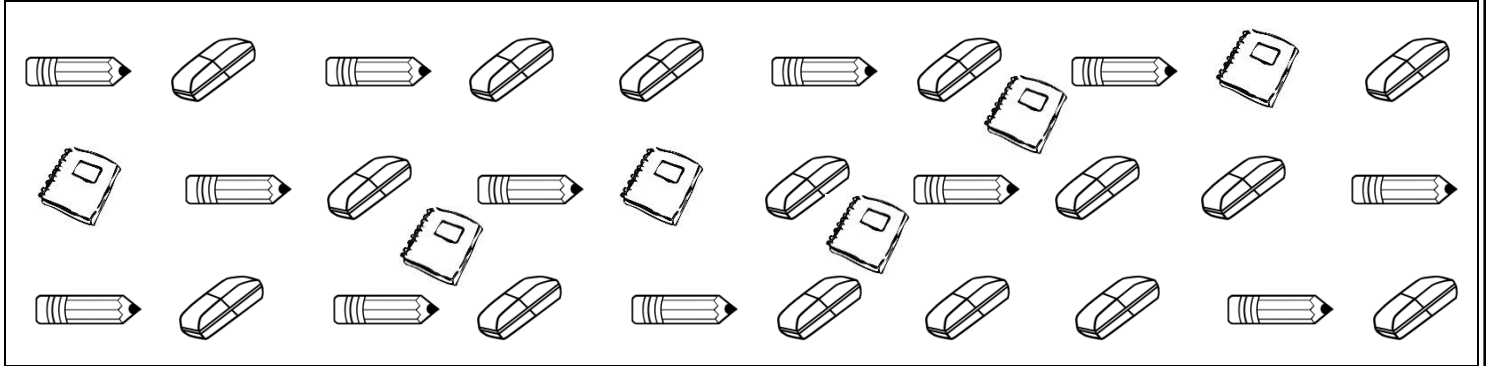


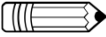


Tally Chart

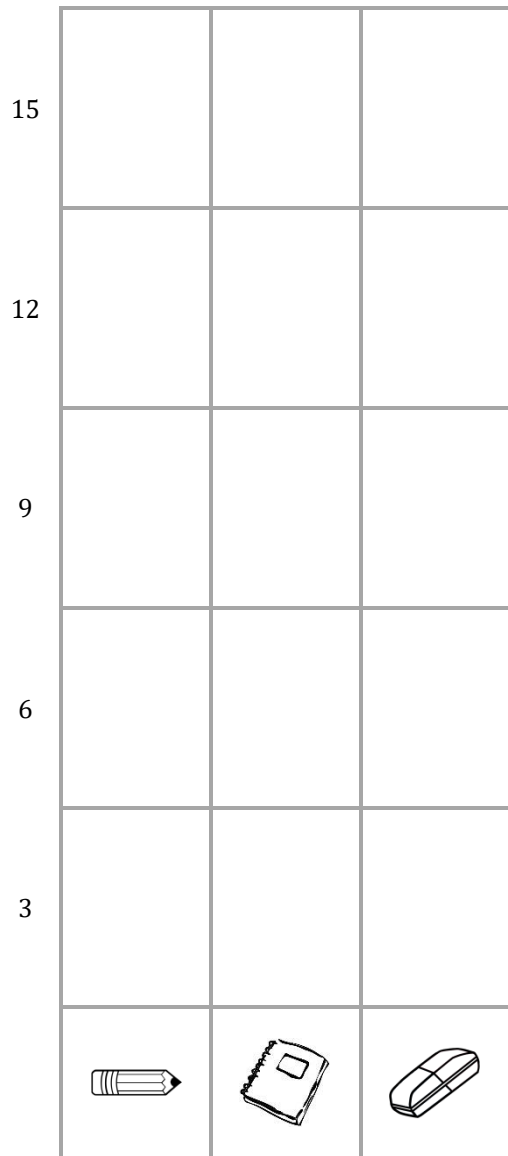
Name: _____

Date: _____

Count the pictures to make the tally chart, complete the graph and write the answers using the tally chart.





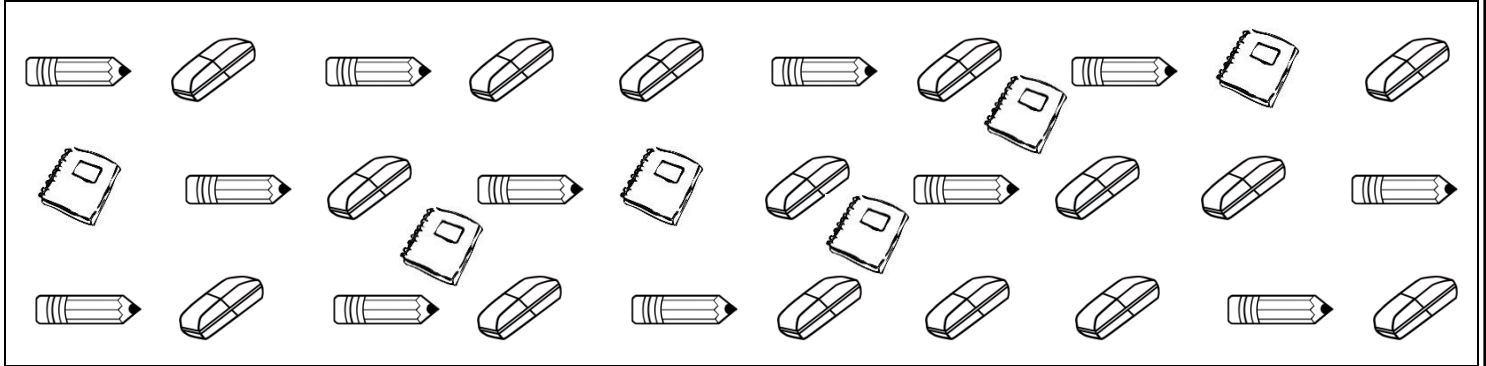
- 1) Did I purchase more pencils or books?
- 2) If the pencils cost 60\$ per 15, how much did I spend on pencils?
- 3) Which item counts less than 8?
- 4) I paid 42\$ for the books. What is the price of 2 books?

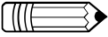


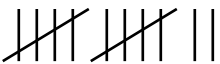

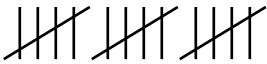
Tally Chart

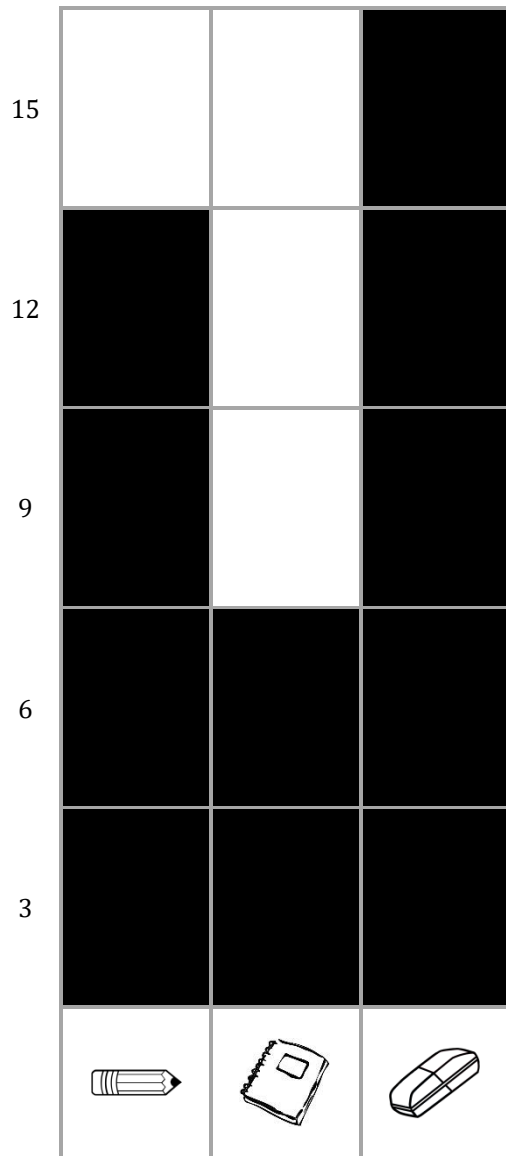
Name: _____

Date: _____

Count the pictures to make the tally chart, complete the graph and write the answers using the tally chart.





- 1) Did I purchase more pencils or books?
Pencils

- 2) If the pencils cost 60\$ per 15, how much did I spend on pencils?
48

- 3) Which item counts less than 8?
Notebook

- 4) I paid 42\$ for the books. What is the price of 2 books?
14\$