

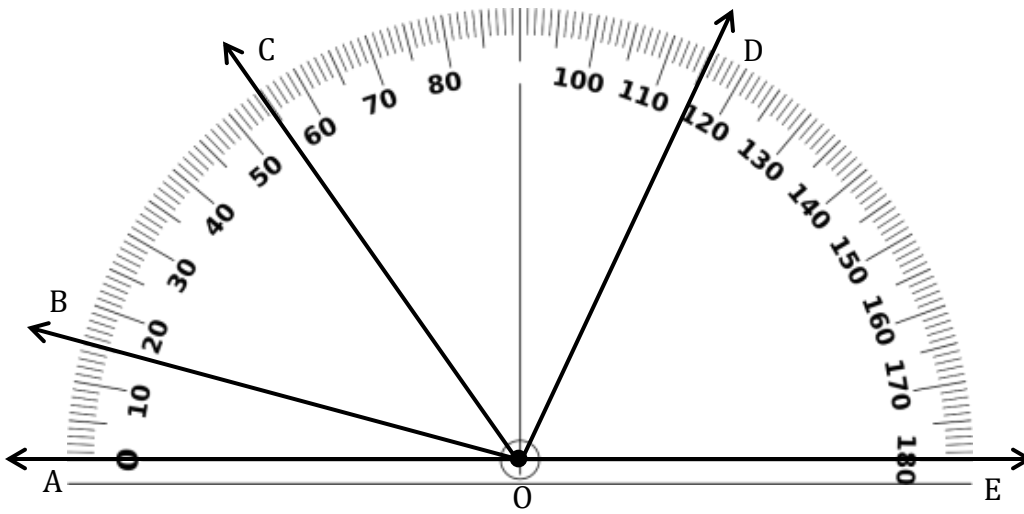
Measuring Angle

Name: _____

Date: _____

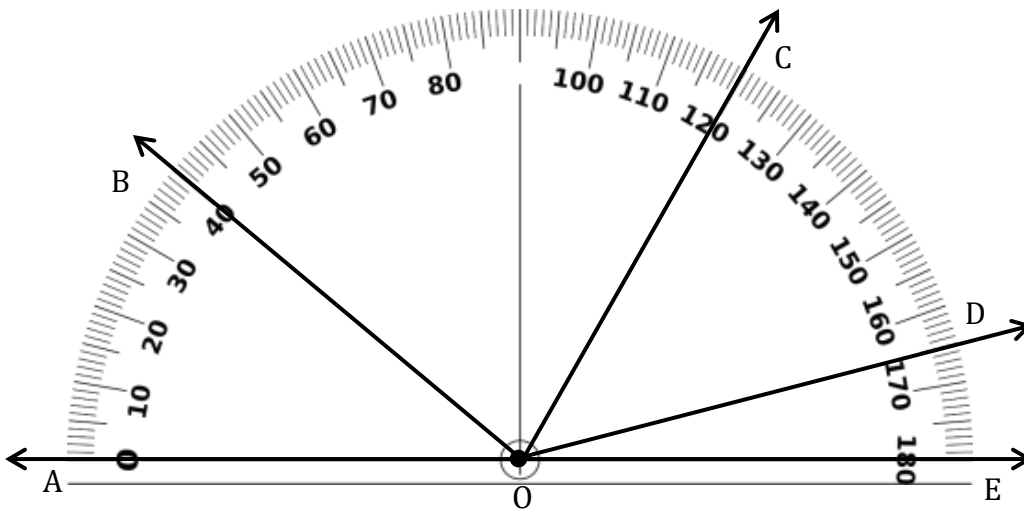
Measure the angle using protractor.

1)



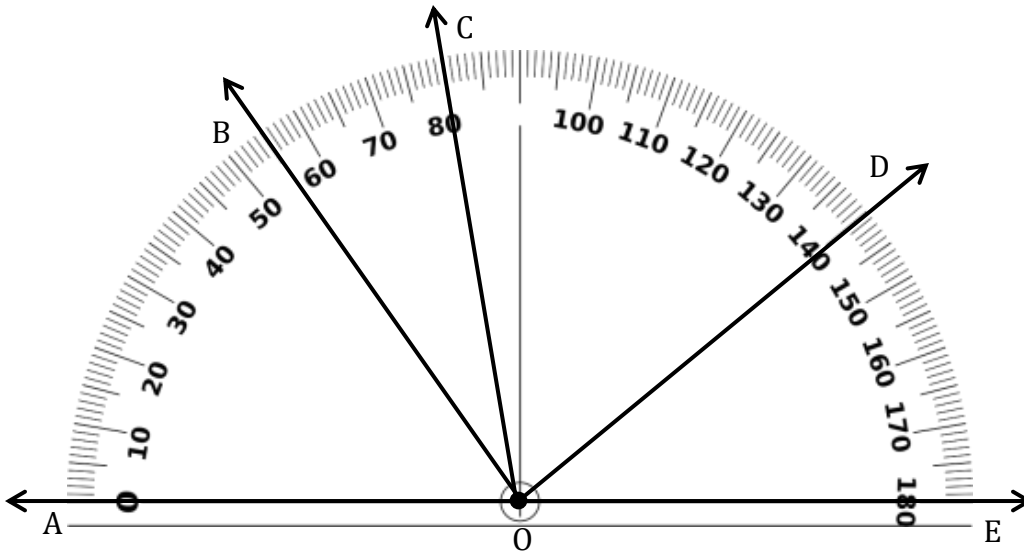
- 1) $\angle BOA =$ _____
- 2) $\angle COA =$ _____
- 3) $\angle DOA =$ _____
- 4) $\angle DOE =$ _____
- 5) $\angle COE =$ _____
- 6) $\angle BOE =$ _____

2)



- 1) $\angle BOA =$ _____
- 2) $\angle COA =$ _____
- 3) $\angle DOA =$ _____
- 4) $\angle DOE =$ _____
- 5) $\angle COE =$ _____
- 6) $\angle BOE =$ _____

3)



- 1) $\angle BOA =$ _____
- 2) $\angle COA =$ _____
- 3) $\angle DOA =$ _____
- 4) $\angle DOE =$ _____
- 5) $\angle COE =$ _____
- 6) $\angle BOE =$ _____

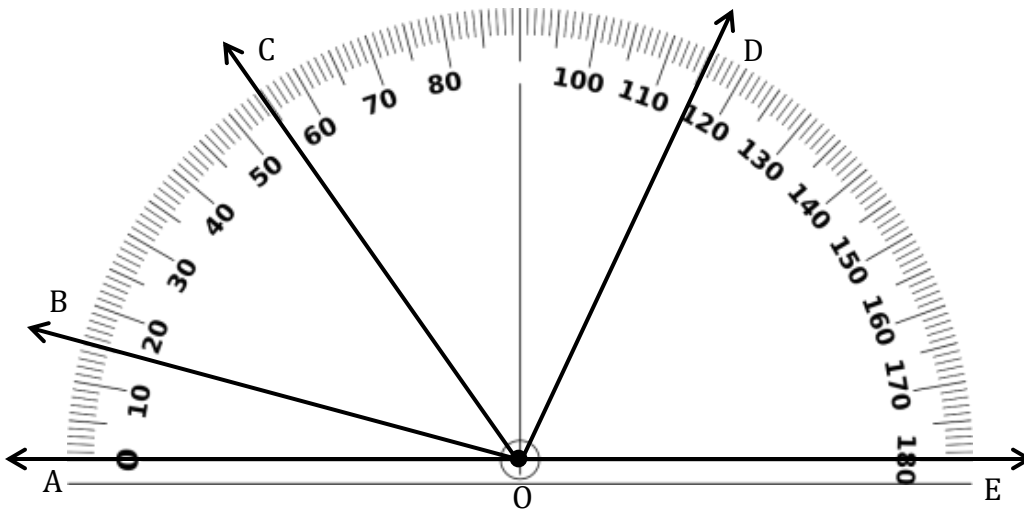
Measuring Angle

Name: _____

Date: _____

Measure the angle using protractor.

1)



1) $\angle BOA = \underline{15^\circ}$

2) $\angle COA = \underline{55^\circ}$

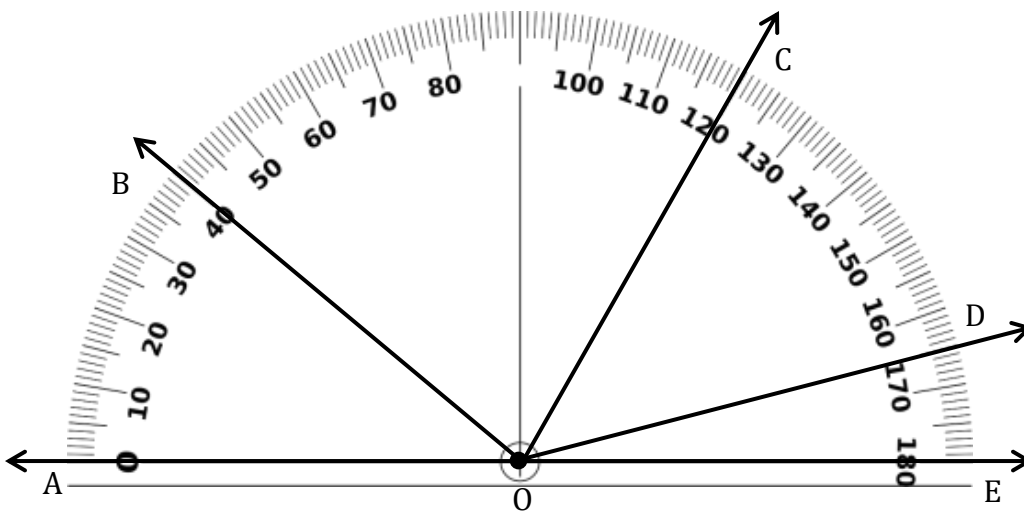
3) $\angle DOA = \underline{115^\circ}$

4) $\angle DOE = \underline{65^\circ}$

5) $\angle COE = \underline{125^\circ}$

6) $\angle BOE = \underline{165^\circ}$

2)



1) $\angle BOA = \underline{40^\circ}$

2) $\angle COA = \underline{120^\circ}$

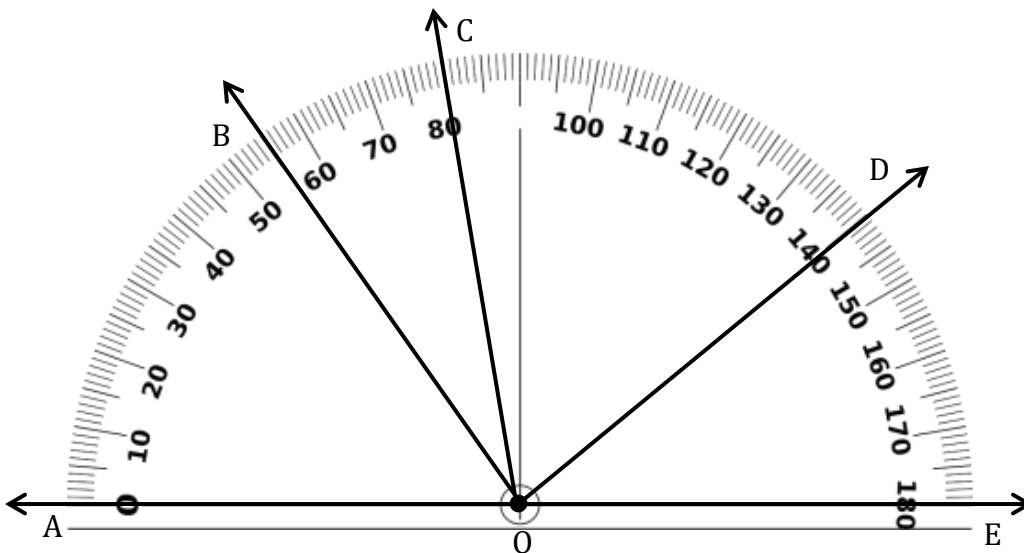
3) $\angle DOA = \underline{165^\circ}$

4) $\angle DOE = \underline{15^\circ}$

5) $\angle COE = \underline{60^\circ}$

6) $\angle BOE = \underline{140^\circ}$

3)



1) $\angle BOA = \underline{55^\circ}$

2) $\angle COA = \underline{80^\circ}$

3) $\angle DOA = \underline{140^\circ}$

4) $\angle DOE = \underline{40^\circ}$

5) $\angle COE = \underline{100^\circ}$

6) $\angle BOE = \underline{125^\circ}$