

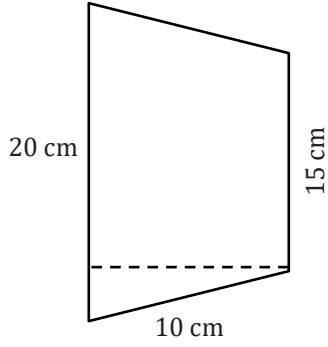
# Area of a Trapezoid

Name: \_\_\_\_\_

Date: \_\_\_\_\_

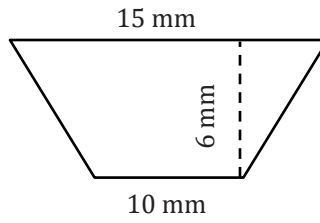
Find the area of a trapezoid.

1)



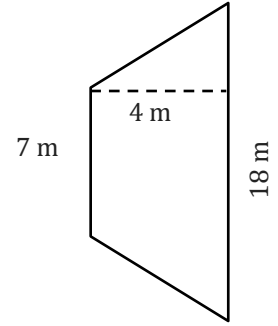
Area = \_\_\_\_\_

2)



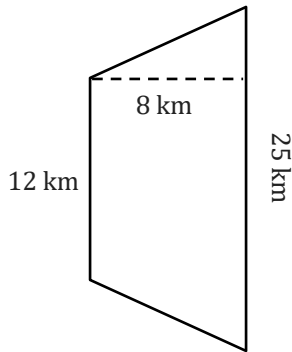
Area = \_\_\_\_\_

3)



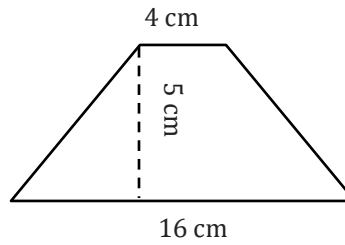
Area = \_\_\_\_\_

4)



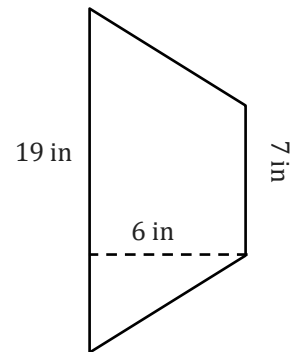
Area = \_\_\_\_\_

5)



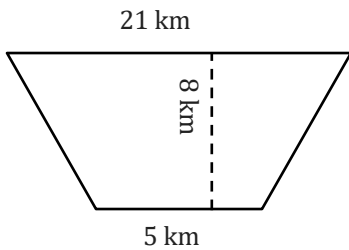
Area = \_\_\_\_\_

6)



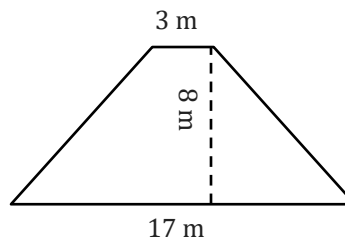
Area = \_\_\_\_\_

7)



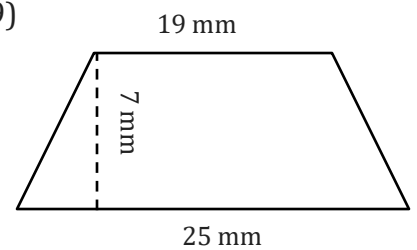
Area = \_\_\_\_\_

8)



Area = \_\_\_\_\_

9)



Area = \_\_\_\_\_

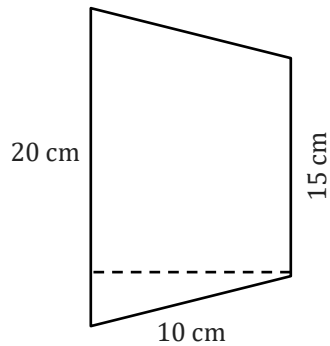
# Area of a Trapezoid

Name: \_\_\_\_\_

Date: \_\_\_\_\_

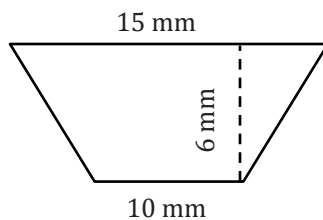
Find the area of a trapezoid.

1)



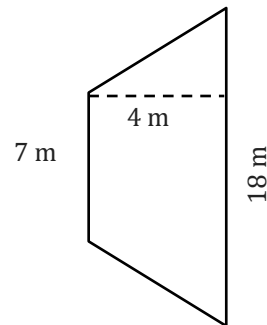
Area = 175 cm<sup>2</sup>

2)



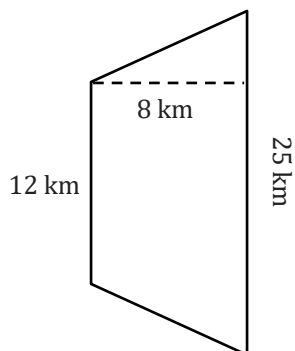
Area = 75 mm<sup>2</sup>

3)



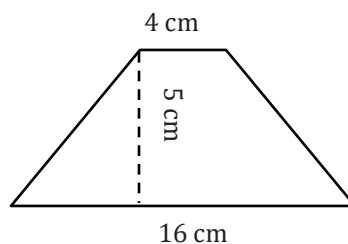
Area = 50 m<sup>2</sup>

4)



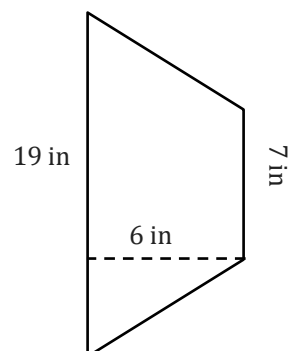
Area = 148 km<sup>2</sup>

5)



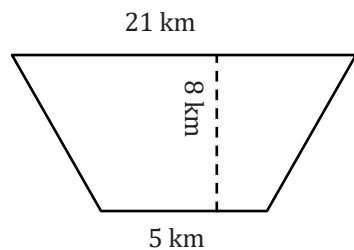
Area = 50 cm<sup>2</sup>

6)



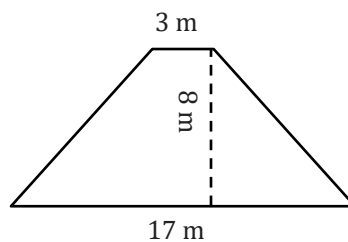
Area = 78 in<sup>2</sup>

7)



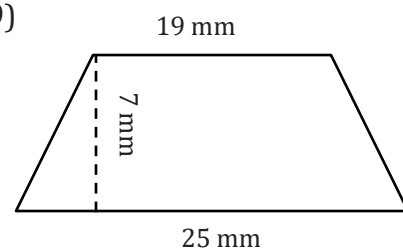
Area = 104 km<sup>2</sup>

8)



Area = 80 m<sup>2</sup>

9)



Area = 154 mm<sup>2</sup>