

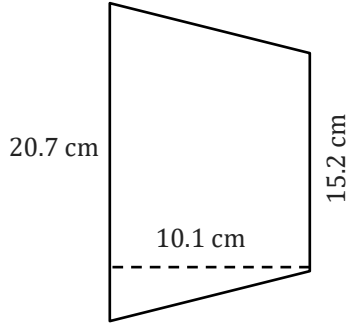
Area of a Trapezoid

Name: _____

Date: _____

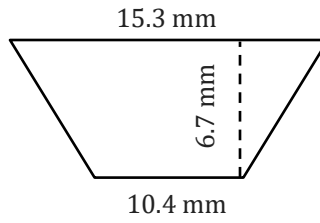
Find the area of a trapezoid.

1)



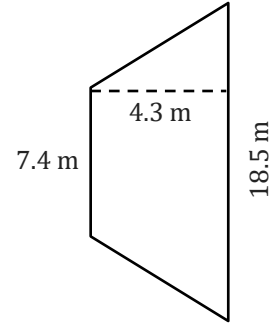
Area = _____

2)



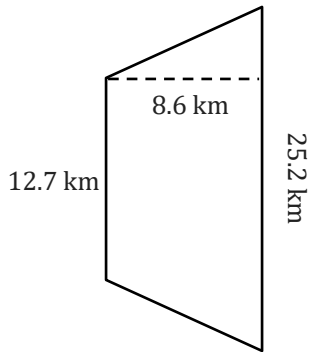
Area = _____

3)



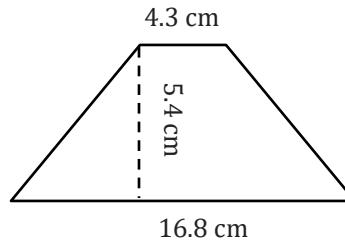
Area = _____

4)



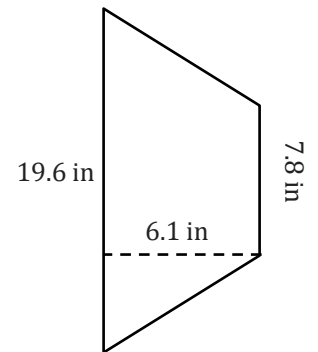
Area = _____

5)



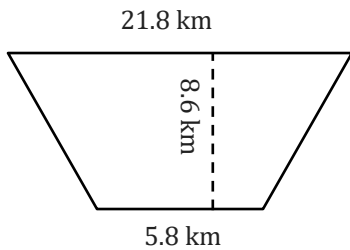
Area = _____

6)



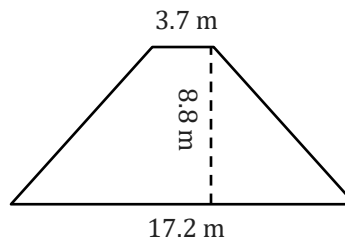
Area = _____

7)



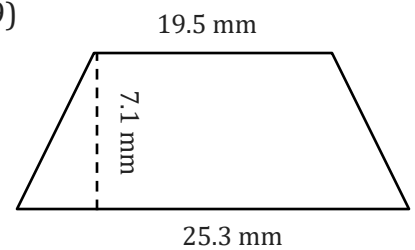
Area = _____

8)



Area = _____

9)



Area = _____

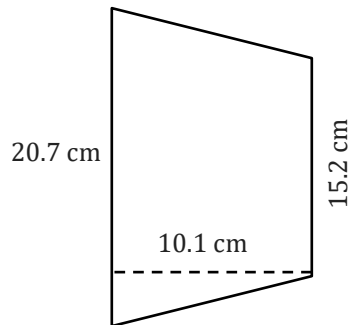
Area of a Trapezoid

Name: _____

Date: _____

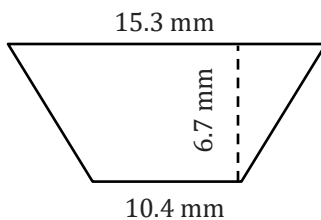
Find the area of a trapezoid.

1)



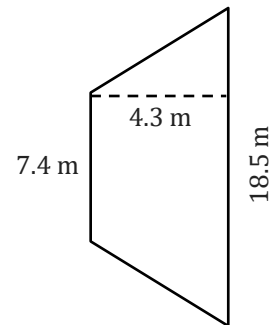
Area = 181.29 cm²

2)



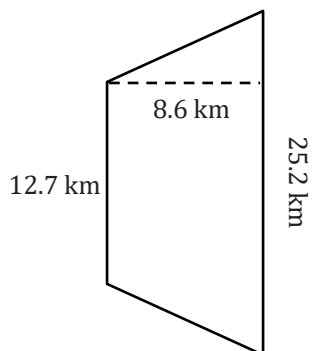
Area = 86.1 mm²

3)



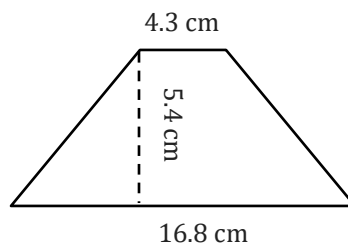
Area = 55.68 m²

4)



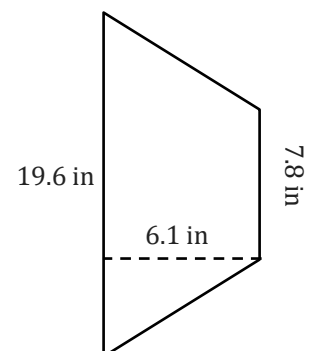
Area = 162.97 km²

5)



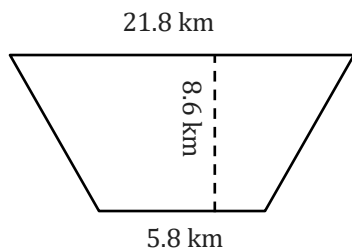
Area = 56.97 cm²

6)



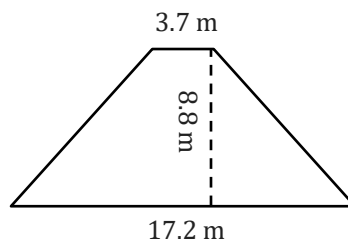
Area = 83.57 in²

7)



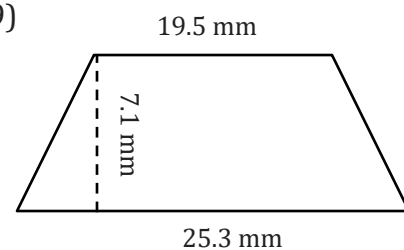
Area = 118.68 km²

8)



Area = 91.96 m²

9)



Area = 159.04 mm²