

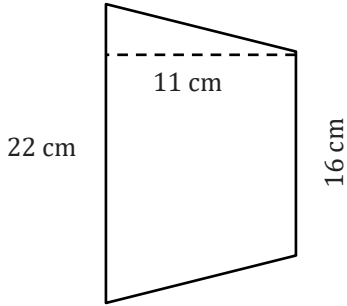
Area of a Trapezoid

Name: _____

Date: _____

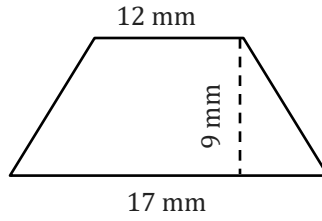
Find the area of a trapezoid.

1)



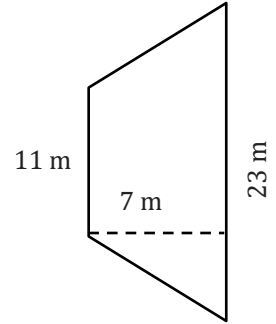
Area = _____

2)



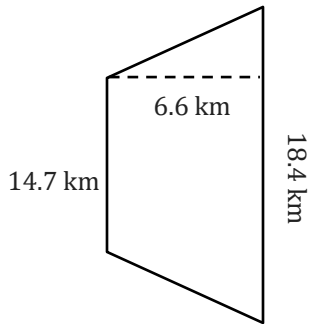
Area = _____

3)



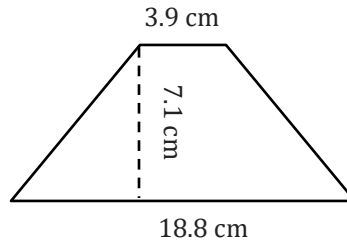
Area = _____

4)



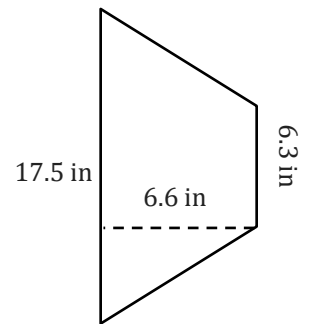
Area = _____

5)



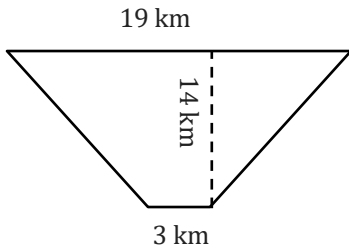
Area = _____

6)



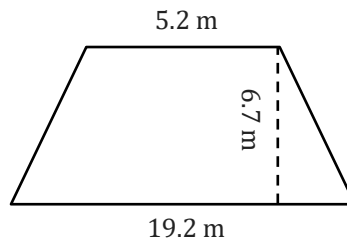
Area = _____

7)



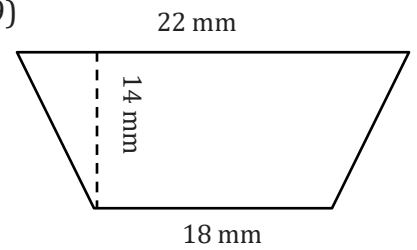
Area = _____

8)



Area = _____

9)



Area = _____

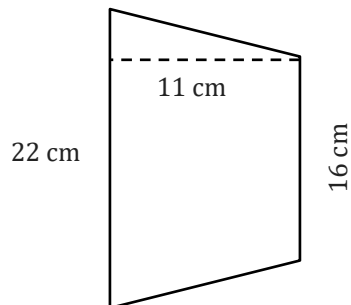
Area of a Trapezoid

Name: _____

Date: _____

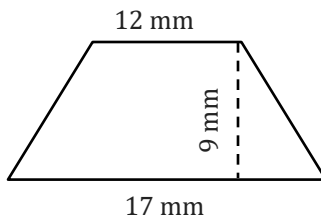
Find the area of a trapezoid.

1)



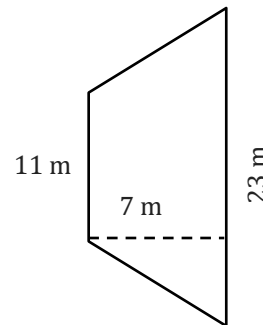
Area = 209 cm²

2)



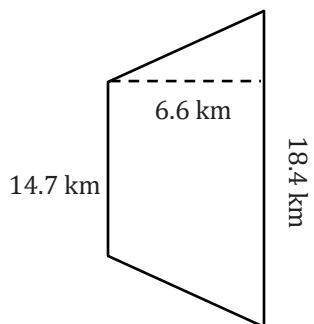
Area = 130.5 mm²

3)



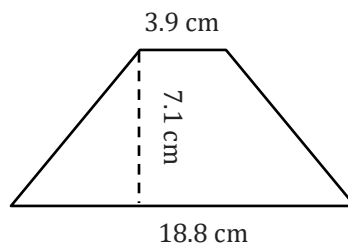
Area = 119 m²

4)



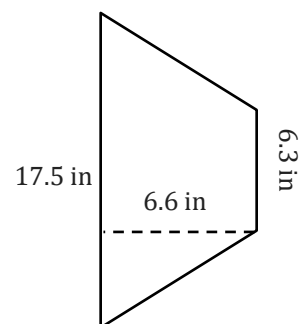
Area = 109.23 km²

5)



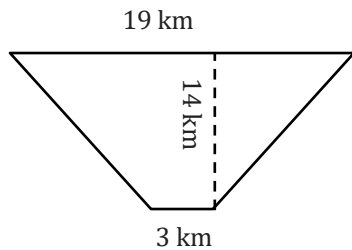
Area = 80.58 cm²

6)



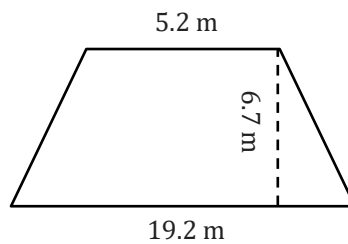
Area = 78.54 in²

7)



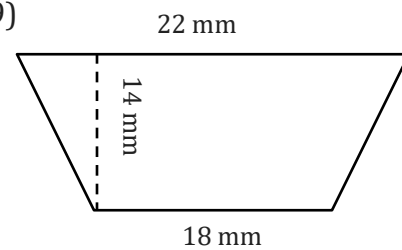
Area = 154 km²

8)



Area = 81.74 m²

9)



Area = 280 mm²