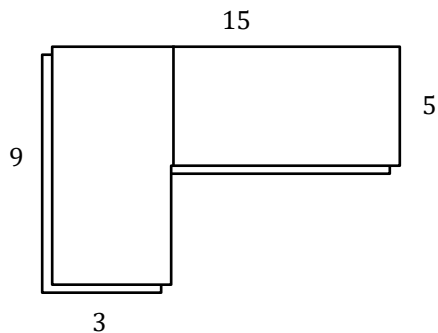


Volume or Surface Area Rectangular Prism

Name: _____

Date: _____

1) Find the total volume?



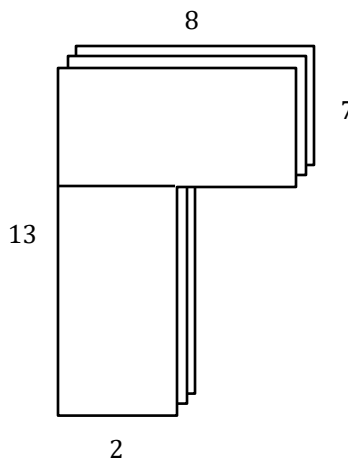
$$V = whl$$

$$V_1 = 120$$

$$V_2 = 54$$

$$V = V_1 + V_2 = 174$$

2) Find the total volume?



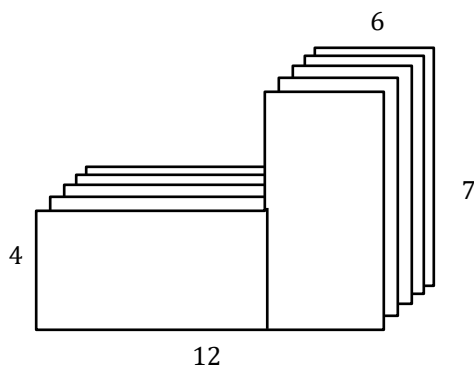
$$V = whl$$

$$V_1 =$$

$$V_2 =$$

$$V = V_1 + V_2 =$$

3) Find the total volume?



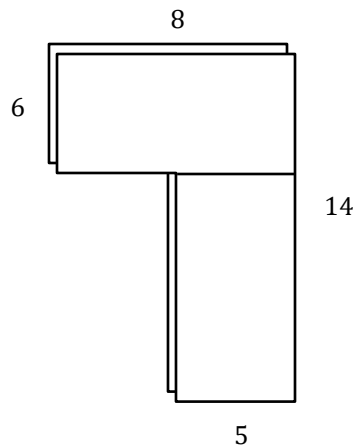
$$V = whl$$

$$V_1 =$$

$$V_2 =$$

$$V = V_1 + V_2 =$$

4) Find the total volume?



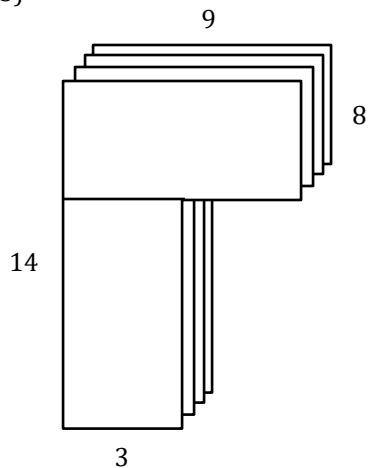
$$V = whl$$

$$V_1 =$$

$$V_2 =$$

$$V = V_1 + V_2 =$$

5) Find the total volume?



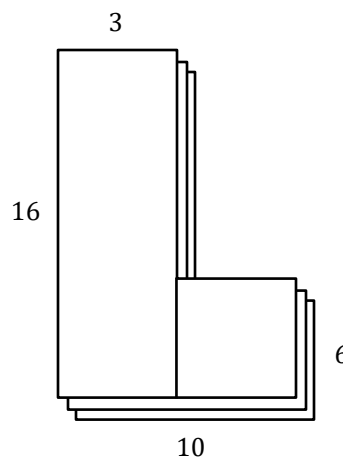
$$V = whl$$

$$V_1 =$$

$$V_2 =$$

$$V = V_1 + V_2 =$$

6) Find the total volume?



$$V = whl$$

$$V_1 =$$

$$V_2 =$$

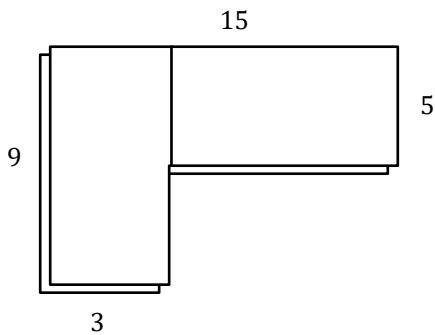
$$V = V_1 + V_2 =$$

Volume or Surface Area Rectangular Prism

Name: _____

Date: _____

1) Find the total volume?



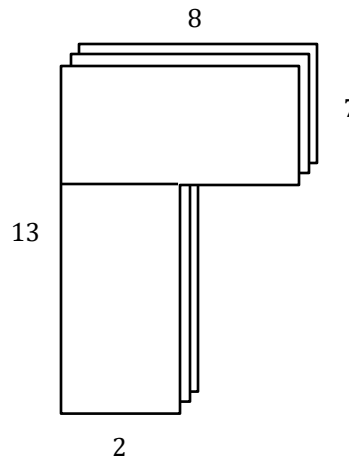
$$V = whl$$

$$V_1 = 120$$

$$V_2 = 54$$

$$V = V_1 + V_2 = 174$$

2) Find the total volume?



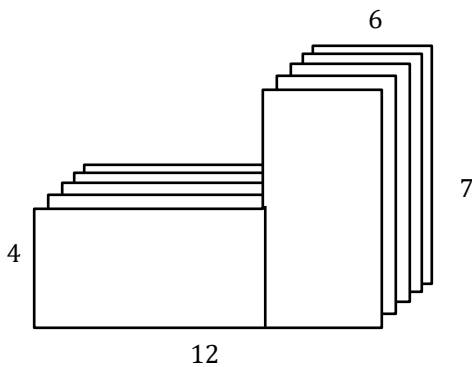
$$V = whl$$

$$V_1 = 168$$

$$V_2 = 36$$

$$V = V_1 + V_2 = 204$$

3) Find the total volume?



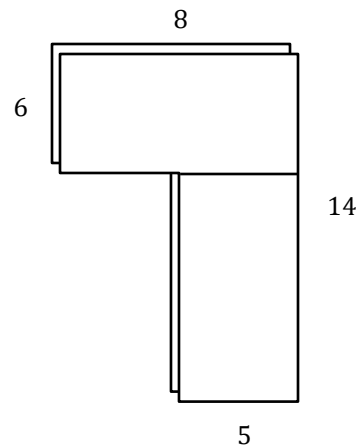
$$V = whl$$

$$V_1 = 210$$

$$V_2 = 120$$

$$V = V_1 + V_2 = 330$$

4) Find the total volume?



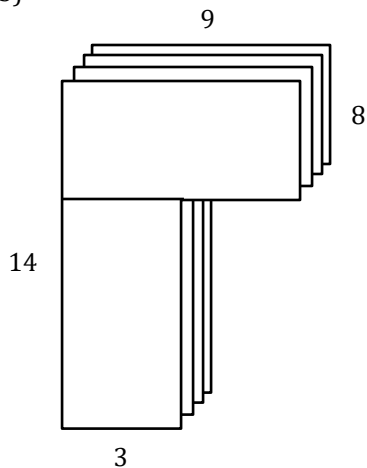
$$V = whl$$

$$V_1 = 96$$

$$V_2 = 80$$

$$V = V_1 + V_2 = 176$$

5) Find the total volume?



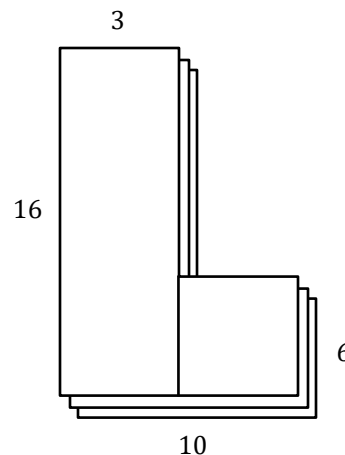
$$V = whl$$

$$V_1 = 288$$

$$V_2 = 72$$

$$V = V_1 + V_2 = 360$$

6) Find the total volume?



$$V = whl$$

$$V_1 = 144$$

$$V_2 = 126$$

$$V = V_1 + V_2 = 270$$