

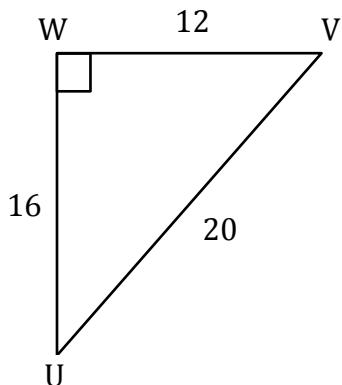
Inverse Cosec Ratios

Name: _____

Date: _____

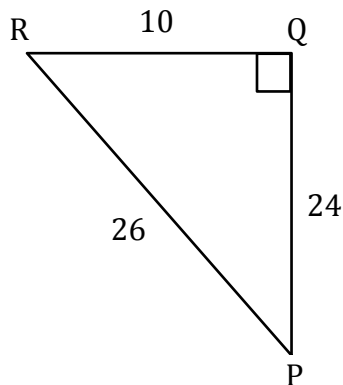
Find the angle to the nearest degree.

1) $m\angle V$



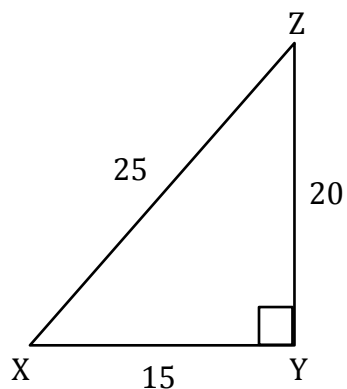
$m\angle V =$ _____

2) $m\angle P$



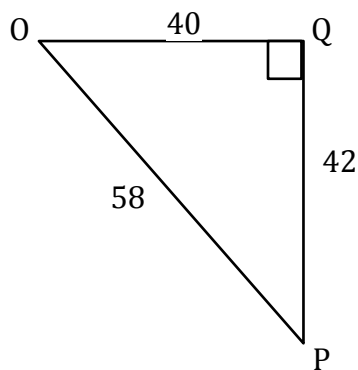
$m\angle P =$ _____

3) $m\angle Z$



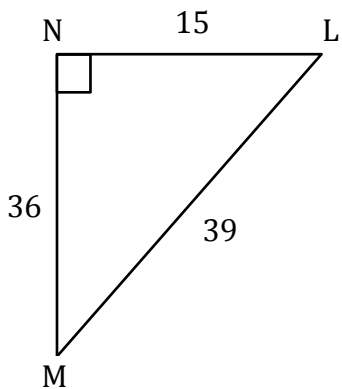
$m\angle Z =$ _____

4) $m\angle O$



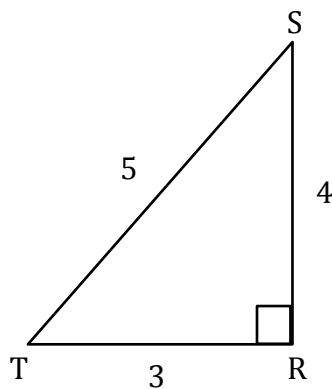
$m\angle O =$ _____

5) $m\angle L$



$m\angle L =$ _____

6) $m\angle S$



$m\angle S =$ _____

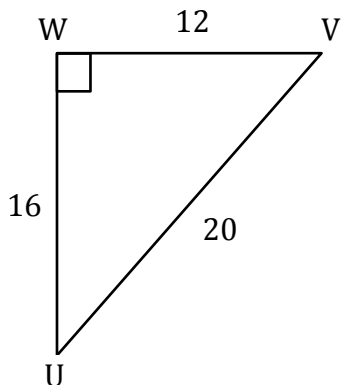
Inverse Cosec Ratios

Name: _____

Date: _____

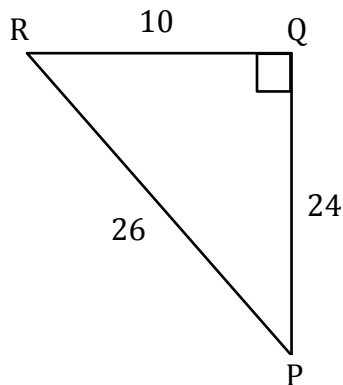
Find the angle to the nearest degree.

1) $m\angle V$



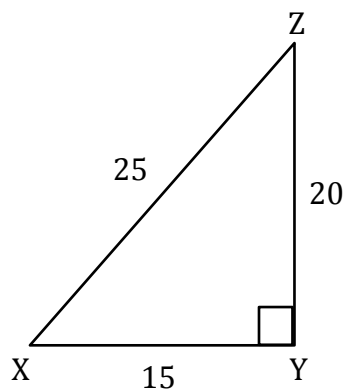
$m\angle V = \underline{\hspace{2cm} 53^\circ \hspace{2cm}}$

2) $m\angle P$



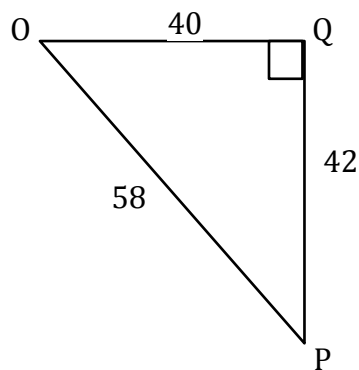
$m\angle P = \underline{\hspace{2cm} 23^\circ \hspace{2cm}}$

3) $m\angle Z$



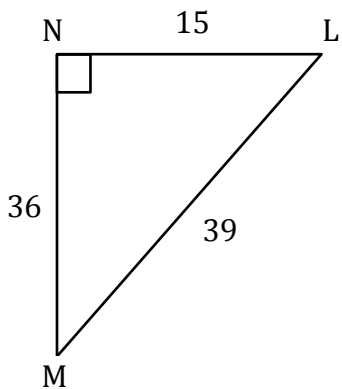
$m\angle Z = \underline{\hspace{2cm} 37^\circ \hspace{2cm}}$

4) $m\angle O$



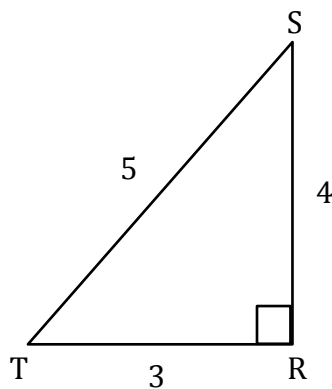
$m\angle O = \underline{\hspace{2cm} 46^\circ \hspace{2cm}}$

5) $m\angle L$



$m\angle L = \underline{\hspace{2cm} 67^\circ \hspace{2cm}}$

6) $m\angle S$



$m\angle S = \underline{\hspace{2cm} 37^\circ \hspace{2cm}}$