

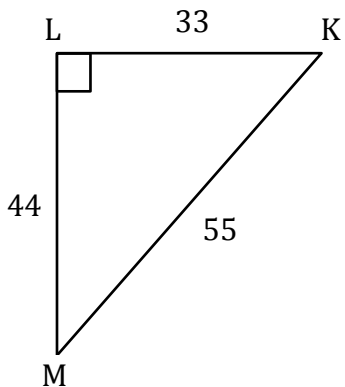
Inverse Cosine Ratios

Name: _____

Date: _____

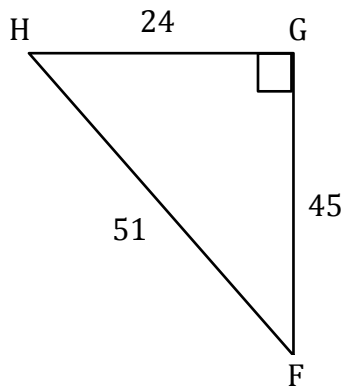
Find the angle to the nearest degree.

1) $m\angle K$



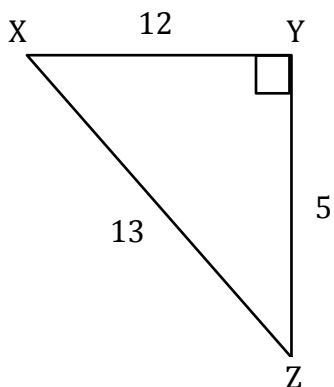
$m\angle K =$ _____

2) $m\angle H$



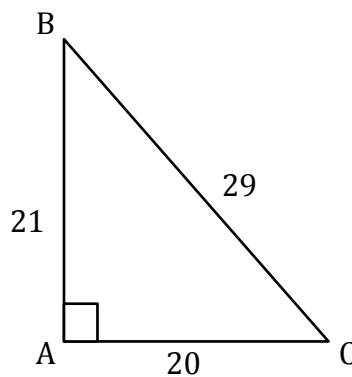
$m\angle H =$ _____

3) $m\angle Z$



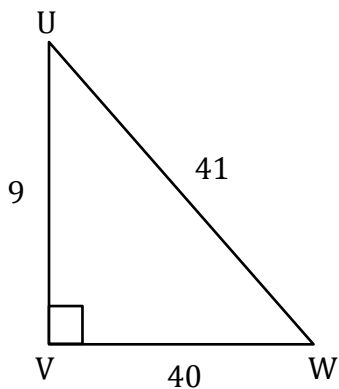
$m\angle Z =$ _____

4) $m\angle B$



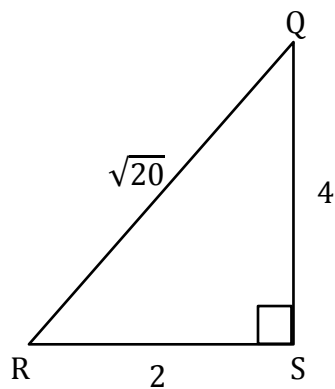
$m\angle B =$ _____

5) $m\angle W$



$m\angle W =$ _____

6) $m\angle R$



$m\angle R =$ _____

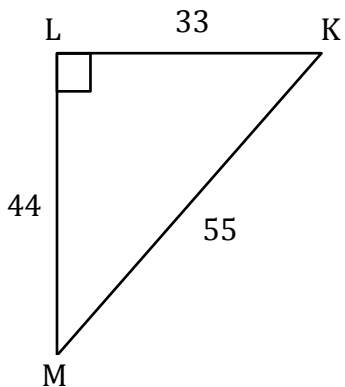
Inverse Cosine Ratios

Name: _____

Date: _____

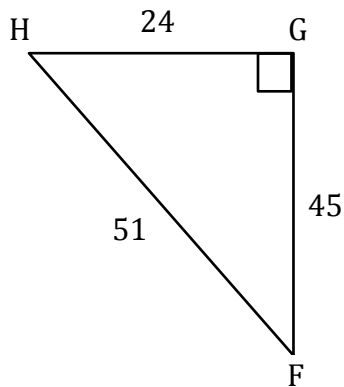
Find the angle to the nearest degree.

1) $m\angle K$



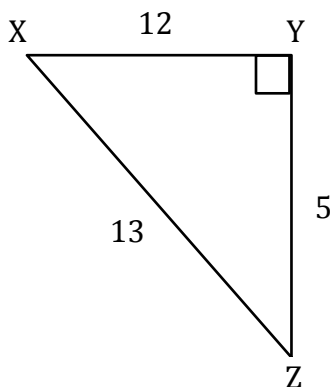
$m\angle K = \underline{\hspace{2cm} 53^\circ \hspace{2cm}}$

2) $m\angle H$



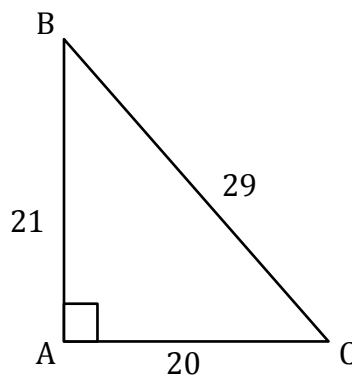
$m\angle H = \underline{\hspace{2cm} 62^\circ \hspace{2cm}}$

3) $m\angle Z$



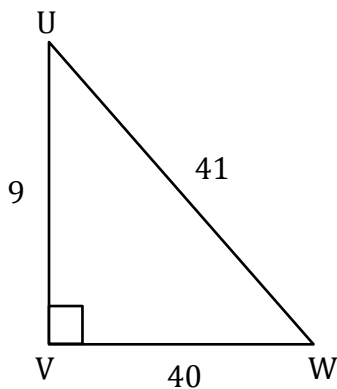
$m\angle Z = \underline{\hspace{2cm} 67^\circ \hspace{2cm}}$

4) $m\angle B$



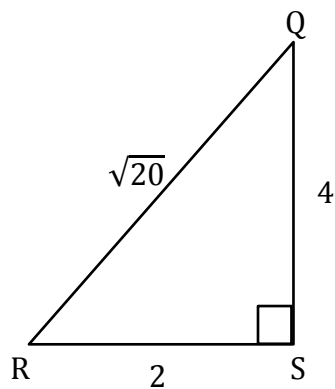
$m\angle B = \underline{\hspace{2cm} 44^\circ \hspace{2cm}}$

5) $m\angle W$



$m\angle W = \underline{\hspace{2cm} 13^\circ \hspace{2cm}}$

6) $m\angle R$



$m\angle R = \underline{\hspace{2cm} 63^\circ \hspace{2cm}}$