

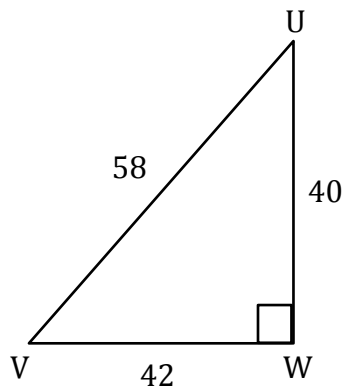
Inverse Tan Ratios

Name: _____

Date: _____

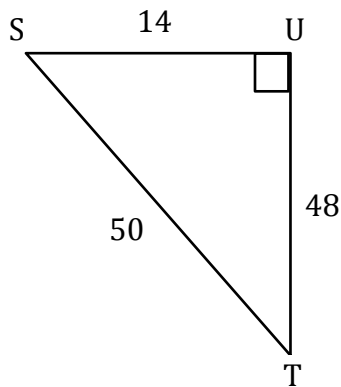
Find the angle to the nearest degree.

1) $m\angle V$



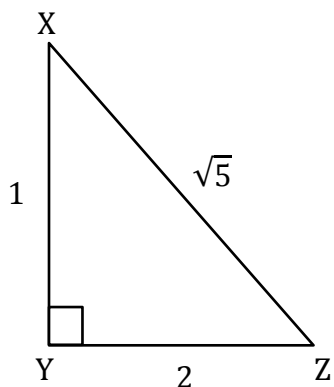
$m\angle V =$ _____

2) $m\angle T$



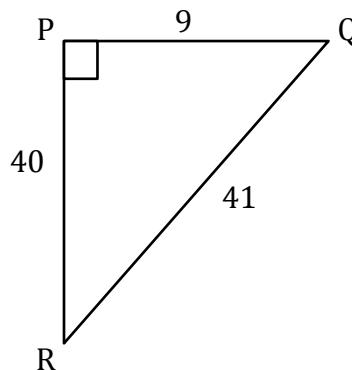
$m\angle T =$ _____

3) $m\angle Z$



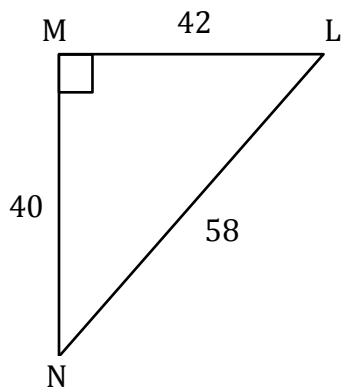
$m\angle Z =$ _____

4) $m\angle R$



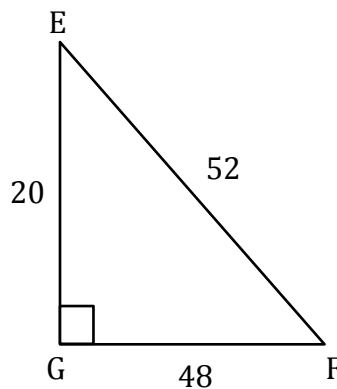
$m\angle R =$ _____

5) $m\angle L$



$m\angle L =$ _____

6) $m\angle F$



$m\angle F =$ _____

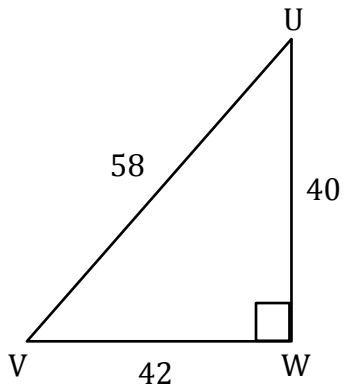
Inverse Tan Ratios

Name: _____

Date: _____

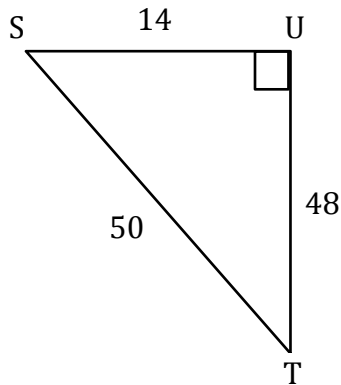
Find the angle to the nearest degree.

1) $m\angle V$



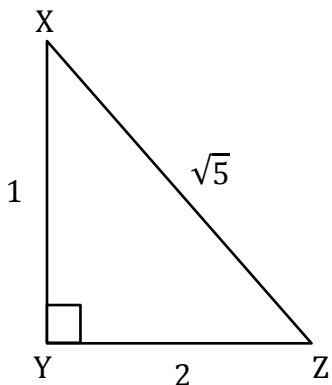
$m\angle V = \underline{\hspace{2cm} 44^\circ \hspace{2cm}}$

2) $m\angle T$



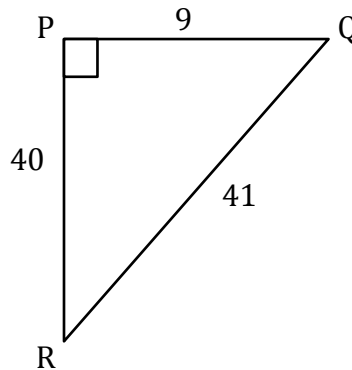
$m\angle T = \underline{\hspace{2cm} 16^\circ \hspace{2cm}}$

3) $m\angle Z$



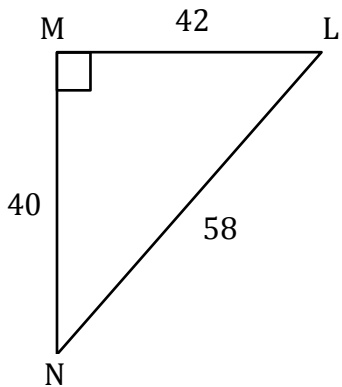
$m\angle Z = \underline{\hspace{2cm} 27^\circ \hspace{2cm}}$

4) $m\angle R$



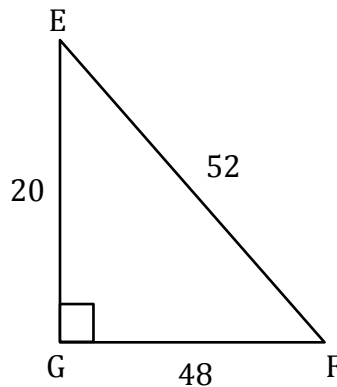
$m\angle R = \underline{\hspace{2cm} 13^\circ \hspace{2cm}}$

5) $m\angle L$



$m\angle L = \underline{\hspace{2cm} 44^\circ \hspace{2cm}}$

6) $m\angle F$



$m\angle F = \underline{\hspace{2cm} 23^\circ \hspace{2cm}}$