

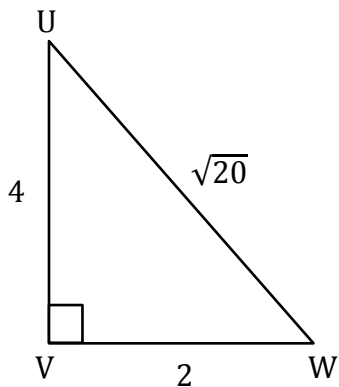
Inverse Tan Ratios

Name: _____

Date: _____

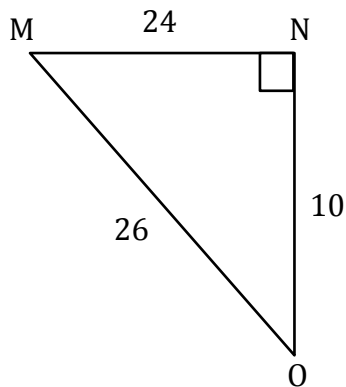
Find the angle to the nearest degree.

1) $m\angle U$



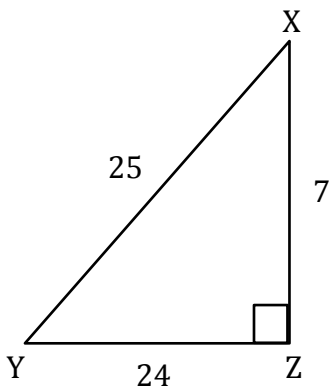
$m\angle U =$ _____

2) $m\angle M$



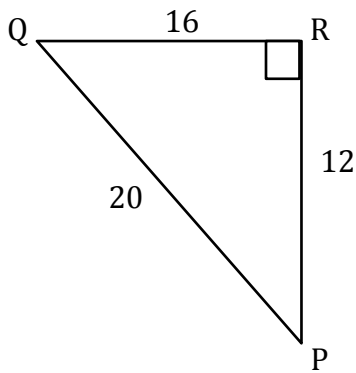
$m\angle M =$ _____

3) $m\angle Y$



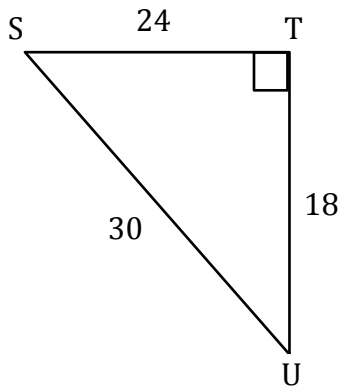
$m\angle Y =$ _____

4) $m\angle Q$



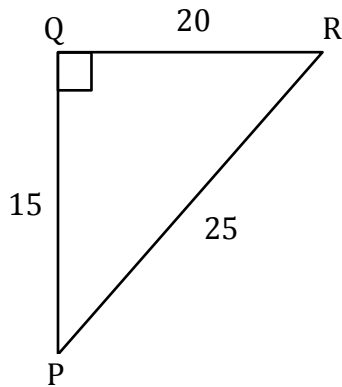
$m\angle Q =$ _____

5) $m\angle S$



$m\angle S =$ _____

6) $m\angle R$



$m\angle R =$ _____

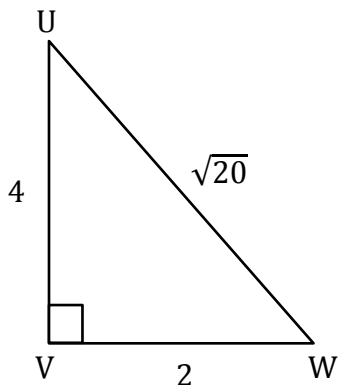
Inverse Tan Ratios

Name: _____

Date: _____

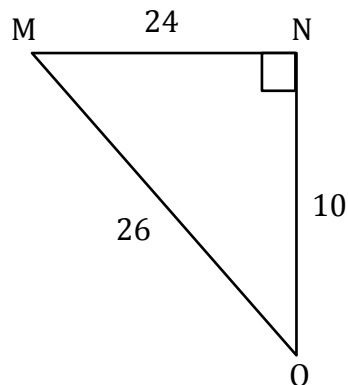
Find the angle to the nearest degree.

1) $m\angle U$



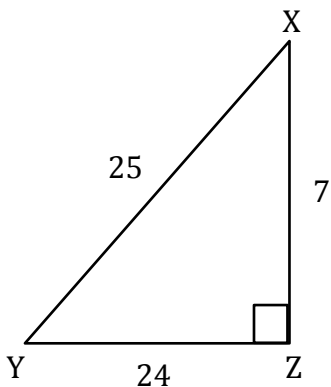
$m\angle U = \underline{\hspace{2cm} 27^\circ \hspace{2cm}}$

2) $m\angle M$



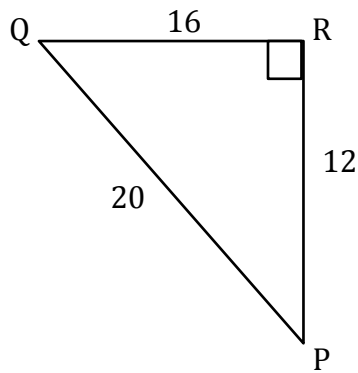
$m\angle M = \underline{\hspace{2cm} 23^\circ \hspace{2cm}}$

3) $m\angle Y$



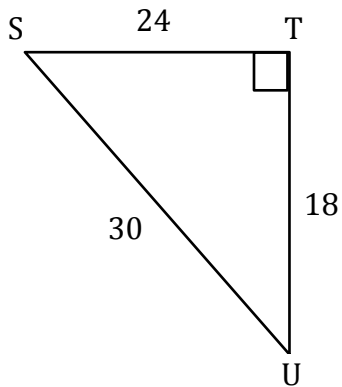
$m\angle Y = \underline{\hspace{2cm} 16^\circ \hspace{2cm}}$

4) $m\angle Q$



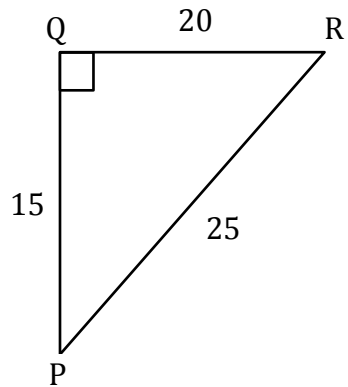
$m\angle Q = \underline{\hspace{2cm} 37^\circ \hspace{2cm}}$

5) $m\angle S$



$m\angle S = \underline{\hspace{2cm} 37^\circ \hspace{2cm}}$

6) $m\angle R$



$m\angle R = \underline{\hspace{2cm} 37^\circ \hspace{2cm}}$