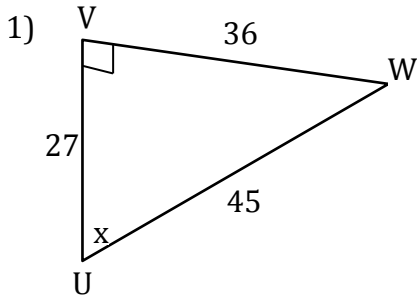


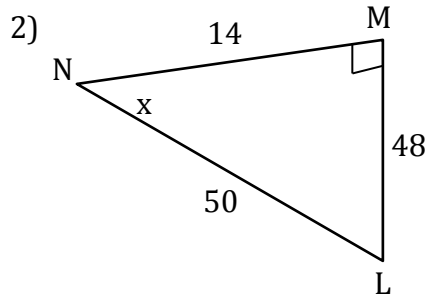
Trigonometry

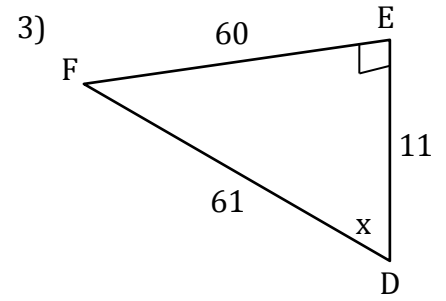
Name: _____

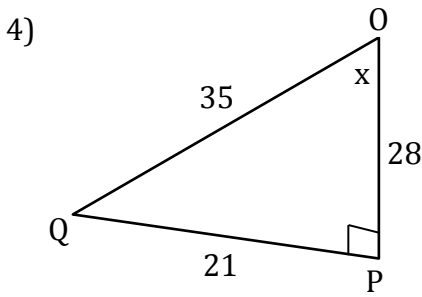
Date: _____

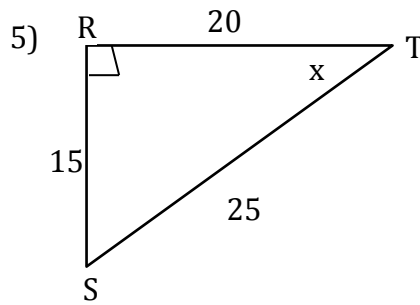
Write the Opposite, Adjacent and Hypotenuse of Angle x.

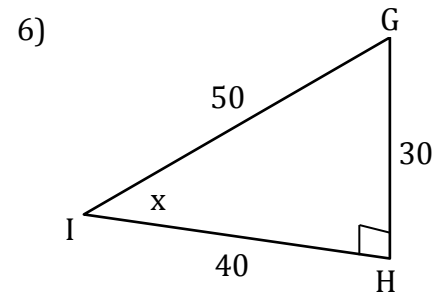


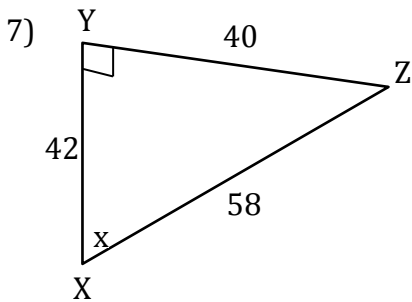


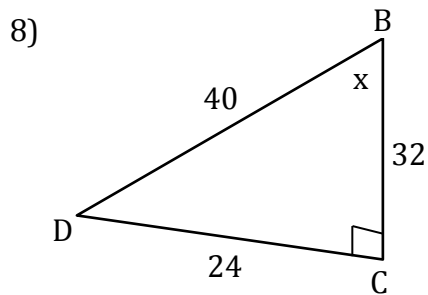


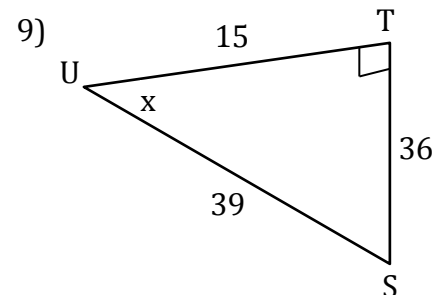










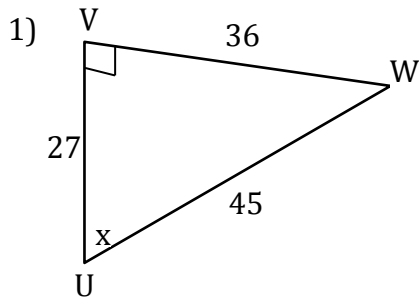


Trigonometry

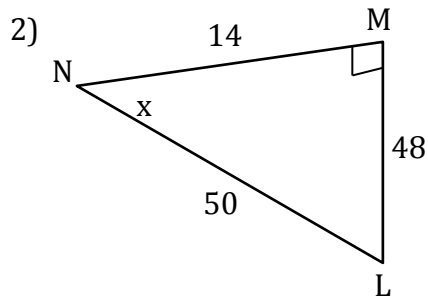
Name: _____

Date: _____

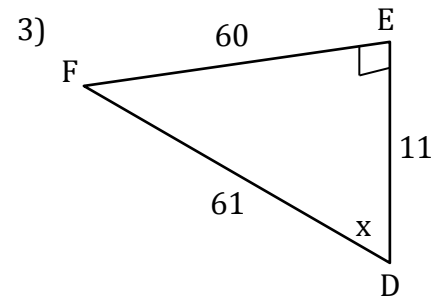
Write the Opposite, Adjacent and Hypotenuse of Angle x .



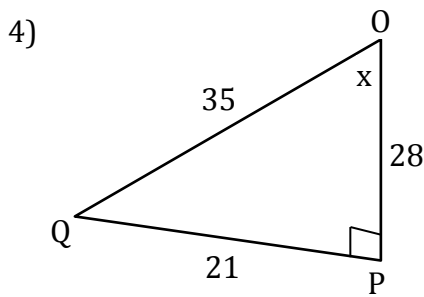
36, 27, 45



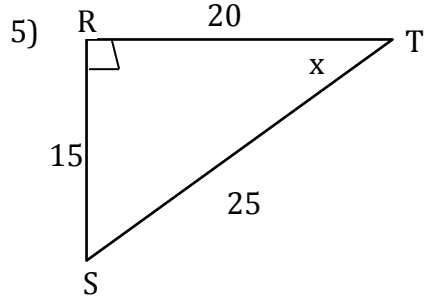
48, 14, 50



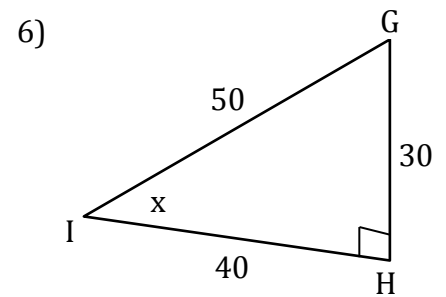
60, 11, 61



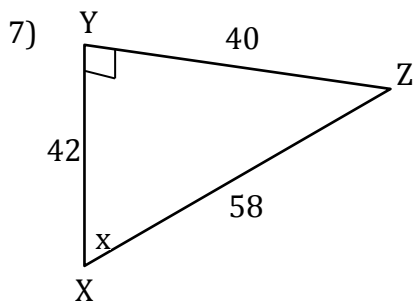
21, 28, 35



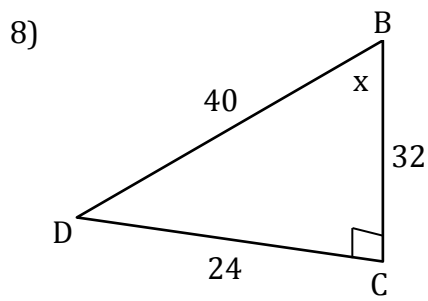
15, 20, 25



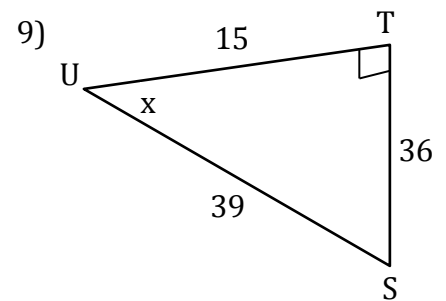
30, 40, 50



40, 42, 58



24, 32, 40



36, 15, 39