

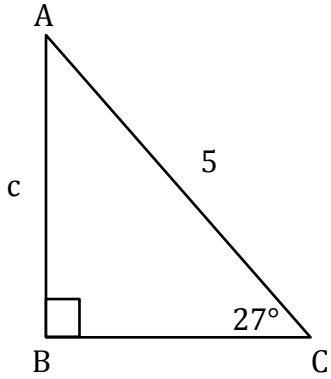
# Trigonometric Ratios

Name: \_\_\_\_\_

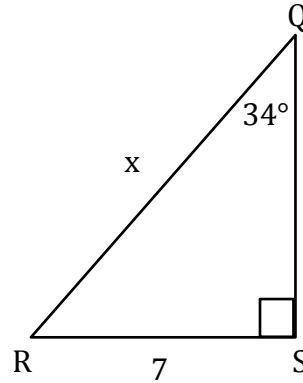
Date: \_\_\_\_\_

## Solving right angles.

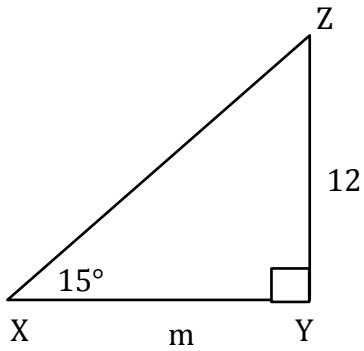
1)  $c =$  2.2



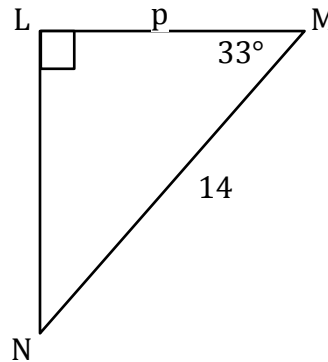
2)  $x =$  \_\_\_\_\_



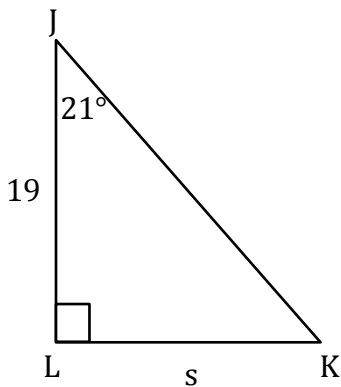
3)  $m =$  \_\_\_\_\_



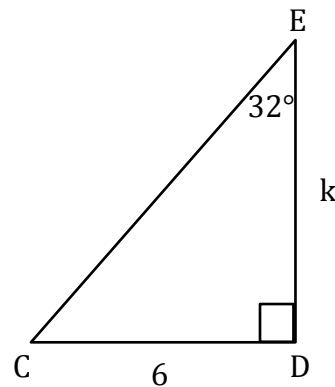
4)  $p =$  \_\_\_\_\_



5)  $s =$  \_\_\_\_\_



6)  $k =$  \_\_\_\_\_



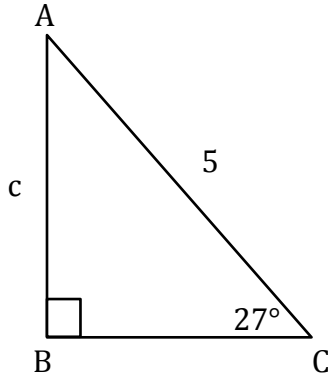
# Trigonometric Ratios

Name: \_\_\_\_\_

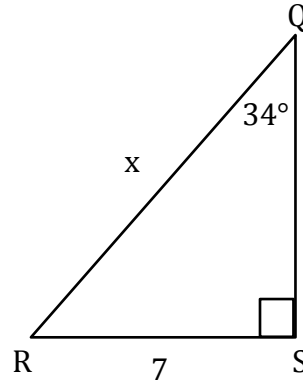
Date: \_\_\_\_\_

## Solving right angles.

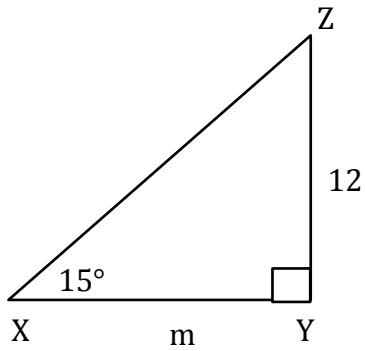
1)  $c =$  2.2



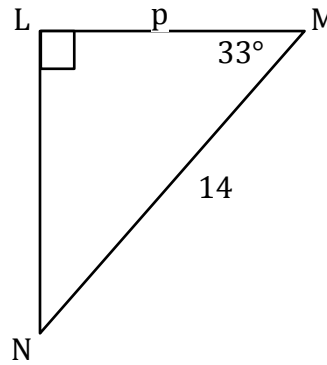
2)  $x =$  12.5



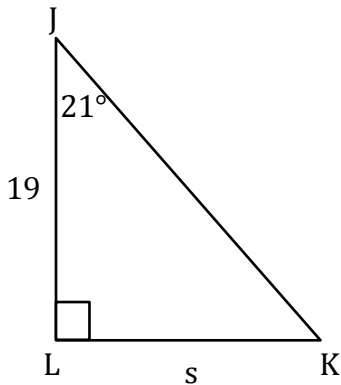
3)  $m =$  44.7



4)  $p =$  11.7



5)  $s =$  7.29



6)  $k =$  9.6

