

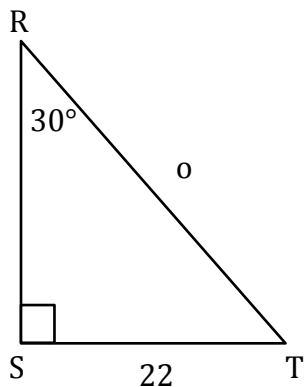
Trigonometric Ratios

Name: _____

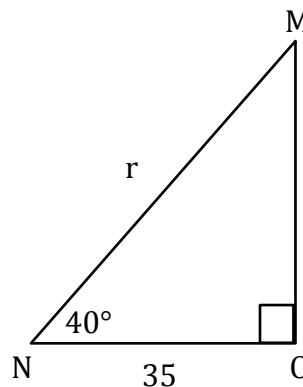
Date: _____

Solving right angles.

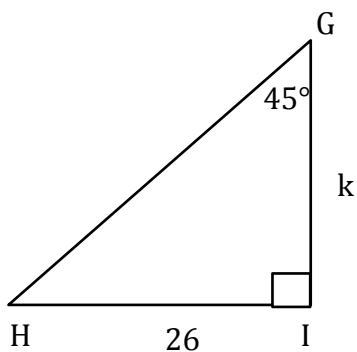
1) $o =$ _____



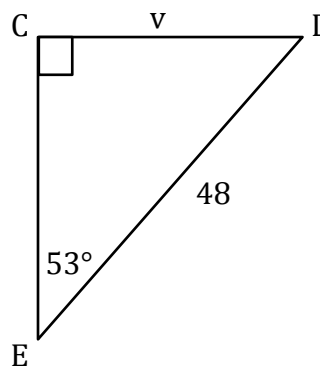
2) $r =$ _____



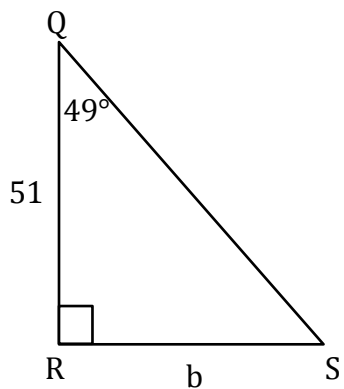
3) $k =$ _____



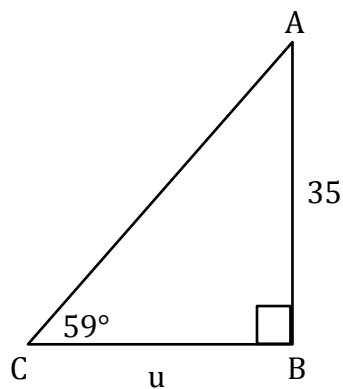
4) $v =$ _____



5) $b =$ _____



6) $u =$ _____



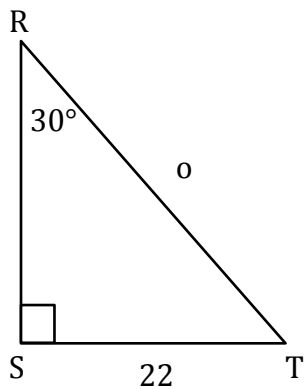
Trigonometric Ratios

Name: _____

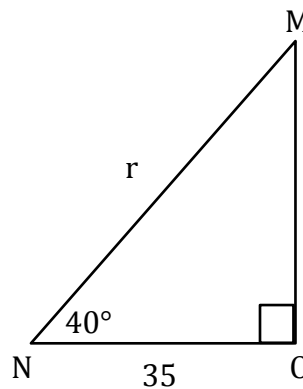
Date: _____

Solving right angles.

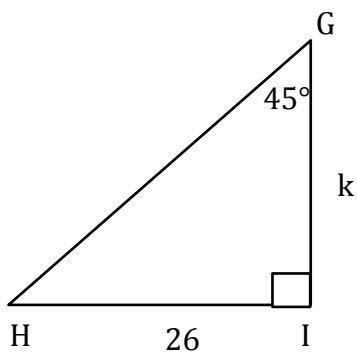
1) $o =$ 44



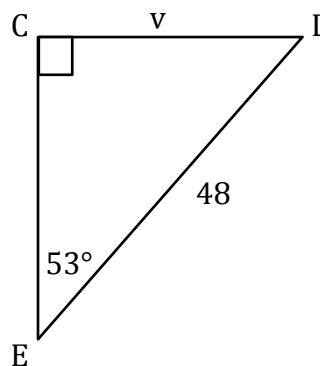
2) $r =$ 45.6



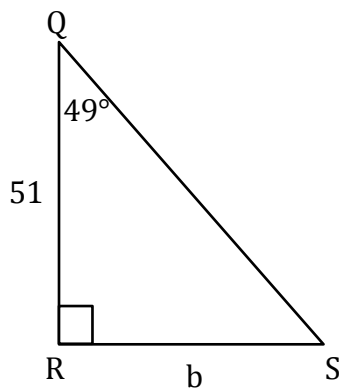
3) $k =$ 26



4) $v =$ 28.8



5) $b =$ 58.6



6) $u =$ 21.03

