

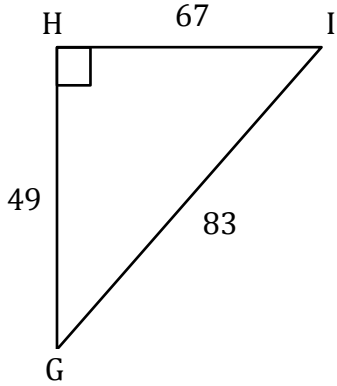
# Trigonometric Ratios

Name: \_\_\_\_\_

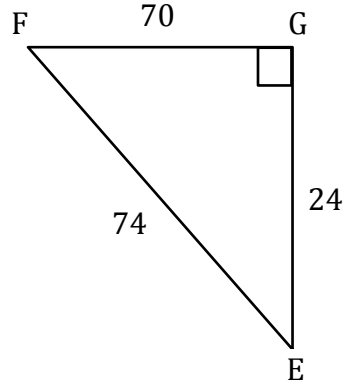
Date: \_\_\_\_\_

## Solving trigonometry ratios

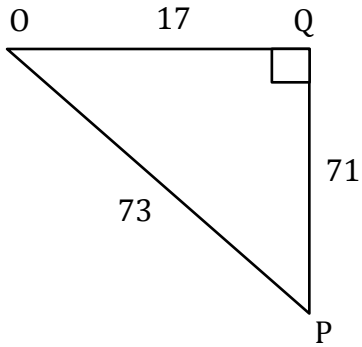
1)  $\sin I =$  \_\_\_\_\_



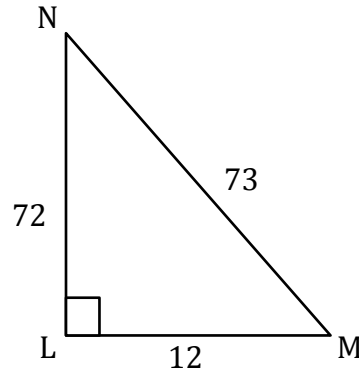
2)  $\sin F =$  \_\_\_\_\_



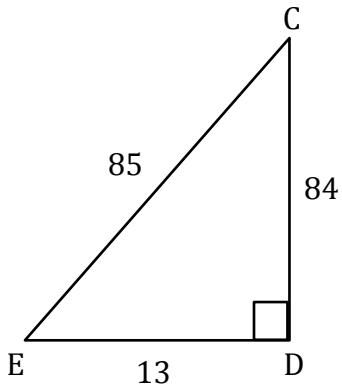
3)  $\sin O =$  \_\_\_\_\_



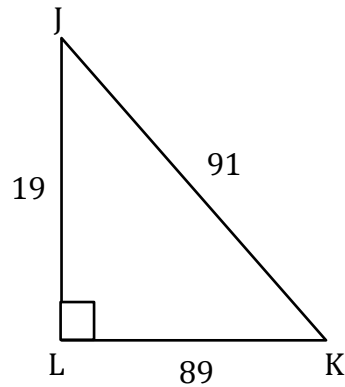
4)  $\sin N =$  \_\_\_\_\_



5)  $\sin E =$  \_\_\_\_\_



6)  $\sin K =$  \_\_\_\_\_



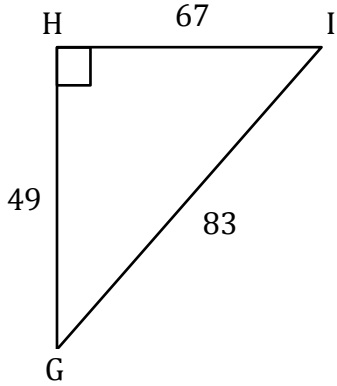
# Trigonometric Ratios

Name: \_\_\_\_\_

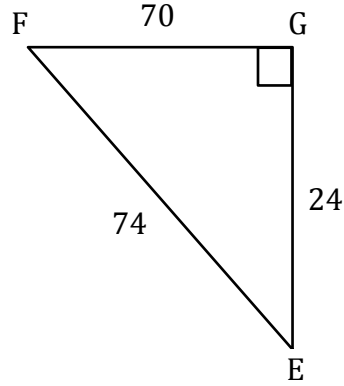
Date: \_\_\_\_\_

## Solving trigonometry ratios

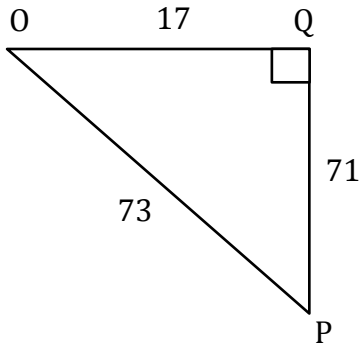
1)  $\sin I = \frac{49}{83}$



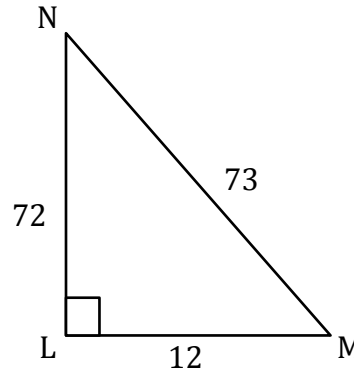
2)  $\sin F = \frac{24}{74}$



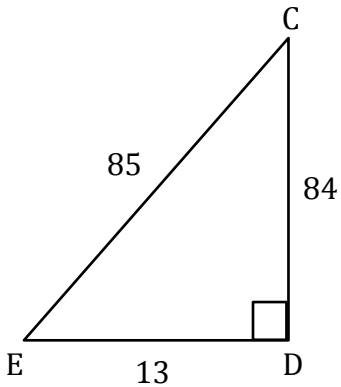
3)  $\sin O = \frac{71}{73}$



4)  $\sin N = \frac{12}{73}$



5)  $\sin E = \frac{84}{85}$



6)  $\sin K = \frac{19}{91}$

