

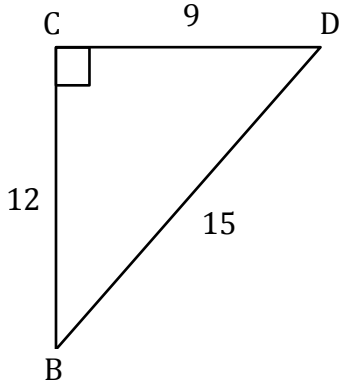
Trigonometric Ratios

Name: _____

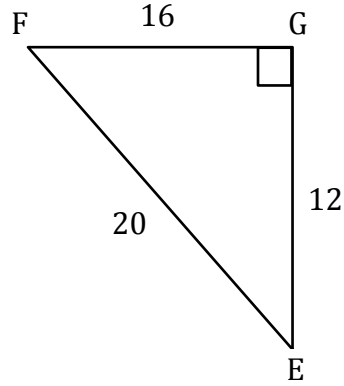
Date: _____

Solving trigonometry ratios

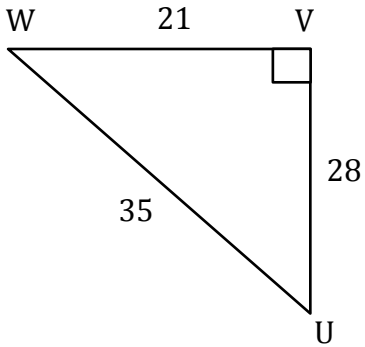
1) $\tan D =$ _____



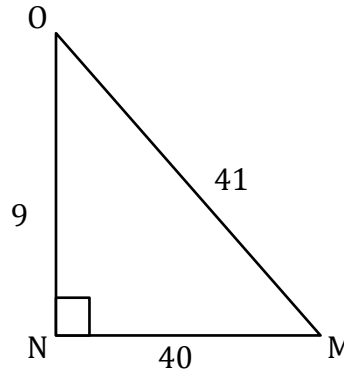
2) $\cos F =$ _____



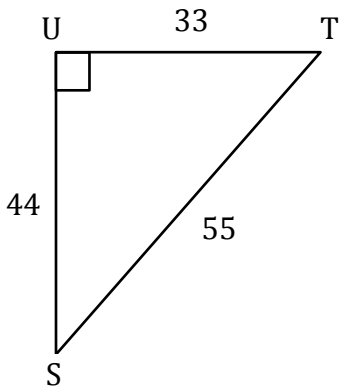
3) $\sin U =$ _____



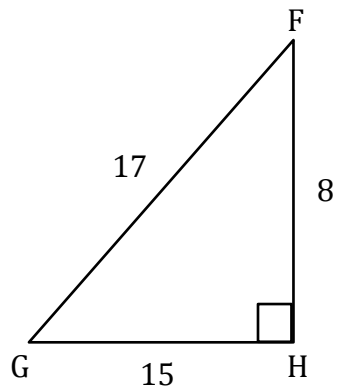
4) $\cos M =$ _____



5) $\tan T =$ _____



6) $\sin G =$ _____



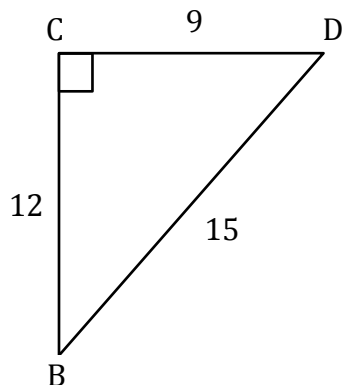
Trigonometric Ratios

Name: _____

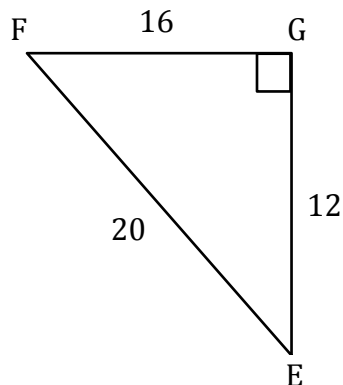
Date: _____

Solving trigonometry ratios

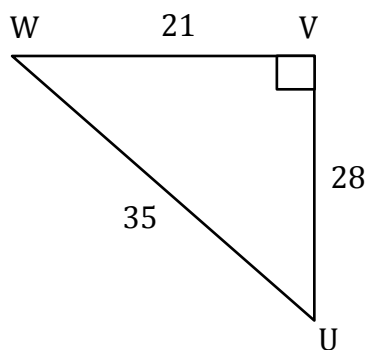
1) $\tan D = \frac{12}{9}$



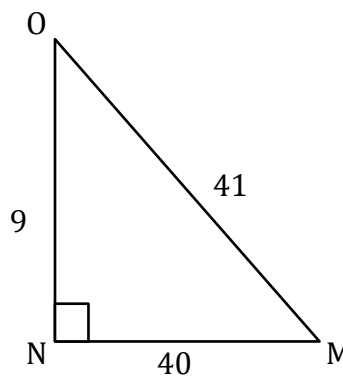
2) $\cos F = \frac{16}{20}$



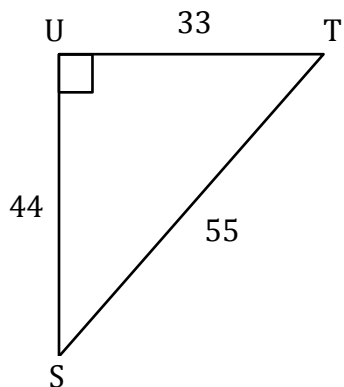
3) $\sin U = \frac{21}{35}$



4) $\cos M = \frac{40}{41}$



5) $\tan T = \frac{44}{33}$



6) $\sin G = \frac{8}{17}$

