

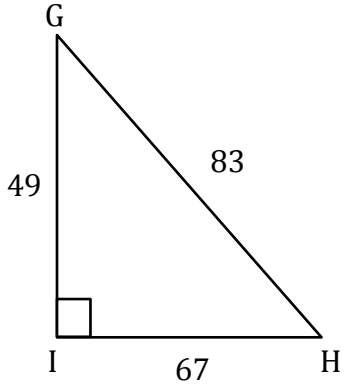
Trigonometric Ratios

Name: _____

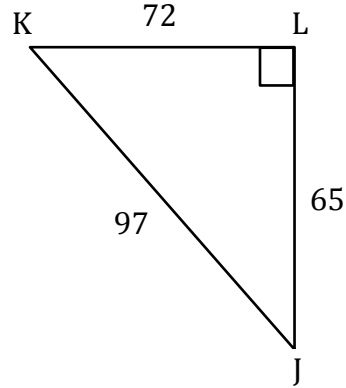
Date: _____

Solving trigonometry ratios

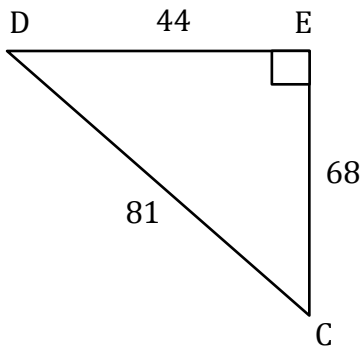
1) $\operatorname{cosec} G =$ _____



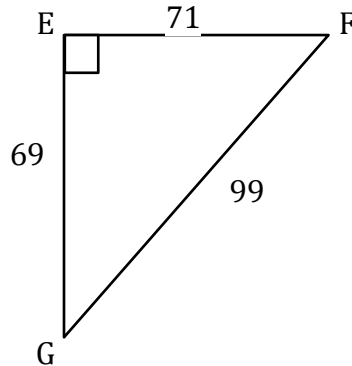
2) $\operatorname{cosec} J =$ _____



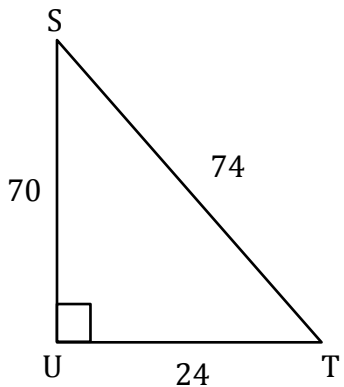
3) $\operatorname{cosec} D =$ _____



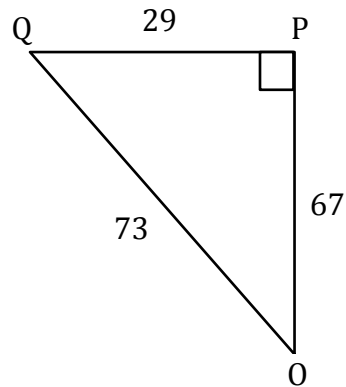
4) $\operatorname{cosec} F =$ _____



5) $\operatorname{cosec} T =$ _____



6) $\operatorname{cosec} O =$ _____



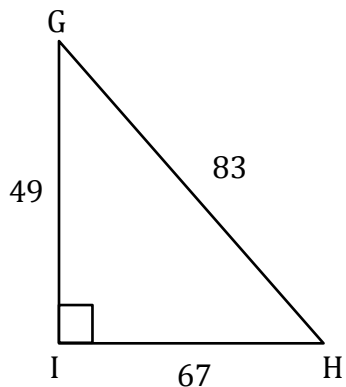
Trigonometric Ratios

Name: _____

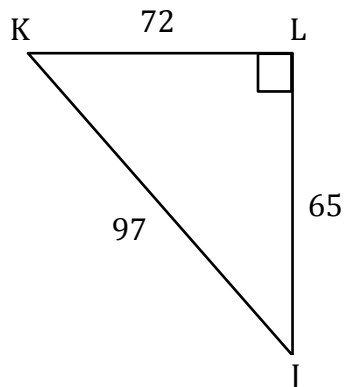
Date: _____

Solving trigonometry ratios

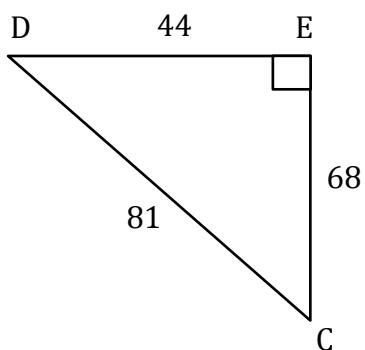
1) $\operatorname{cosec} G = \frac{83}{67}$



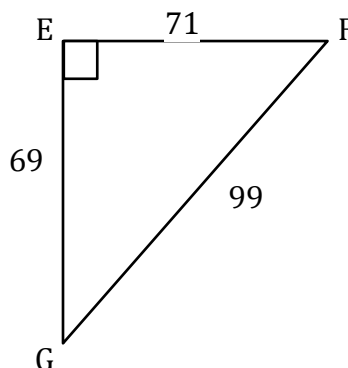
2) $\operatorname{cosec} J = \frac{97}{72}$



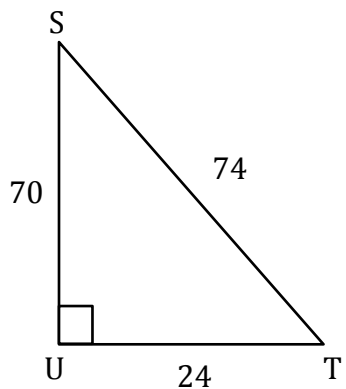
3) $\operatorname{cosec} D = \frac{81}{68}$



4) $\operatorname{cosec} F = \frac{99}{69}$



5) $\operatorname{cosec} T = \frac{74}{70}$



6) $\operatorname{cosec} O = \frac{73}{29}$

