

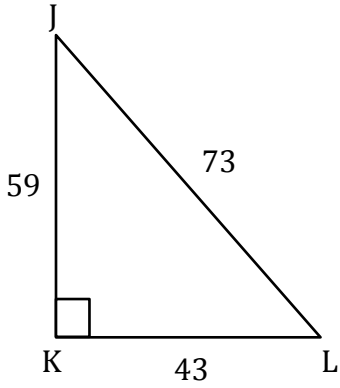
Trigonometric Ratios

Name: _____

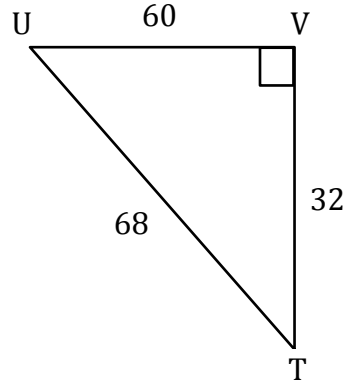
Date: _____

Solving trigonometry ratios

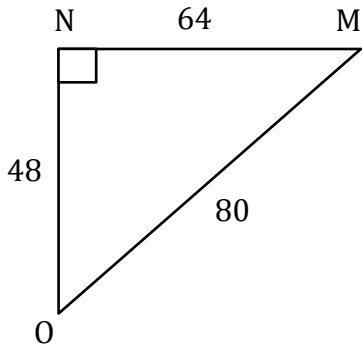
1) $\tan J =$ _____



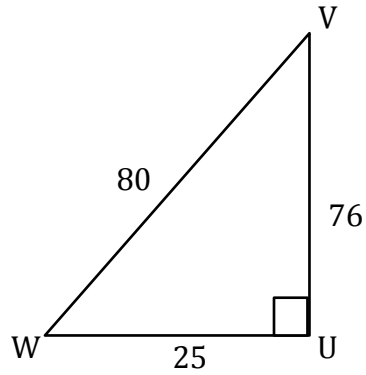
2) $\tan T =$ _____



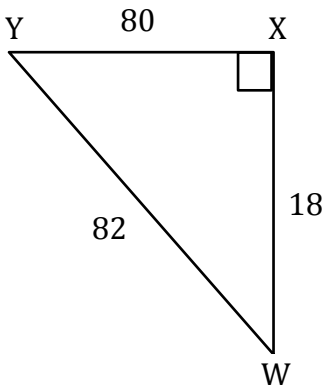
3) $\tan M =$ _____



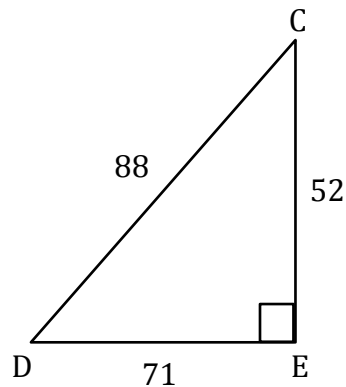
4) $\tan W =$ _____



5) $\tan Y =$ _____



6) $\tan D =$ _____



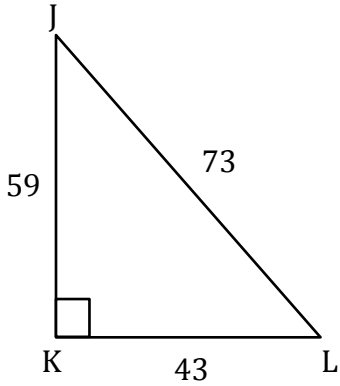
Trigonometric Ratios

Name: _____

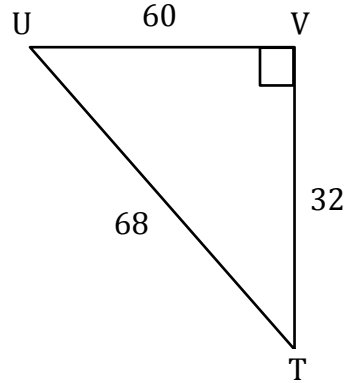
Date: _____

Solving trigonometry ratios

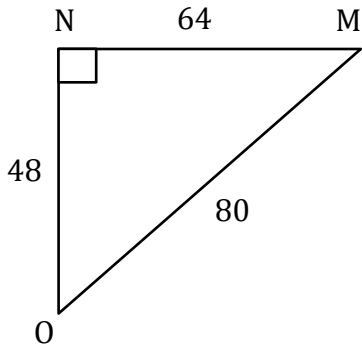
1) $\tan J = \frac{43}{59}$



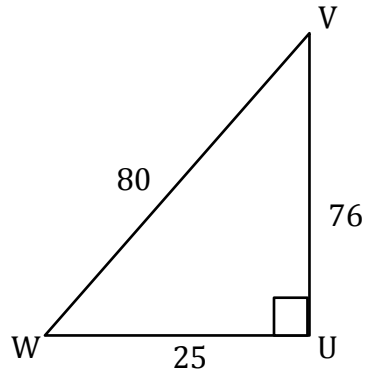
2) $\tan T = \frac{60}{32}$



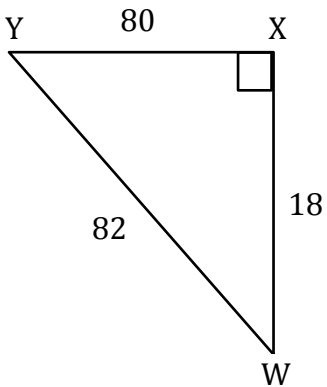
3) $\tan M = \frac{48}{64}$



4) $\tan W = \frac{76}{25}$



5) $\tan Y = \frac{18}{80}$



6) $\tan D = \frac{52}{71}$

